

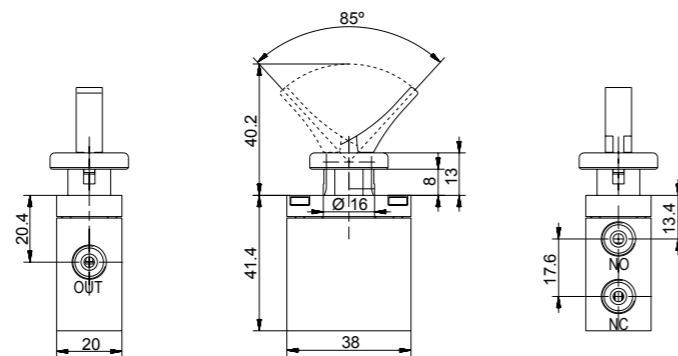
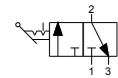
3 Port 1/8" Pilot Valves

- Available in NC or NO option
- The exhaust from the valves is through port No. 3
- Port size : 1/8" BSP & NPT

Technical Data

Fluid	Air / Inert gas
Operation pressure	NC : 10 bar NO : 7 bar
Ambient temperature	to 55° C -5°
Lubrication	Not required (use turbine oil class ISO VG32 if lubricated)
Port size	BSP 1/8
(Kv (l/min	NC : 1 NO : 3
Pilot pressure	Air-Spring : 2 - 10 bar

Lever

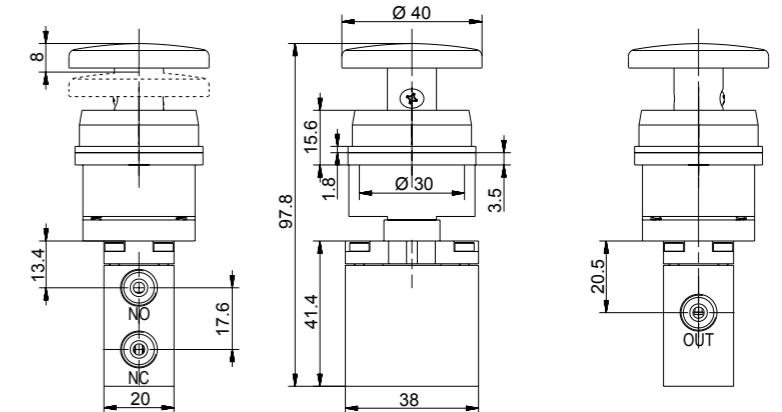
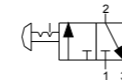


How to Order

33-13-B	-	FUNCTION
		NC 1
		NO 2

3 Port 1/8" Pilot Valves

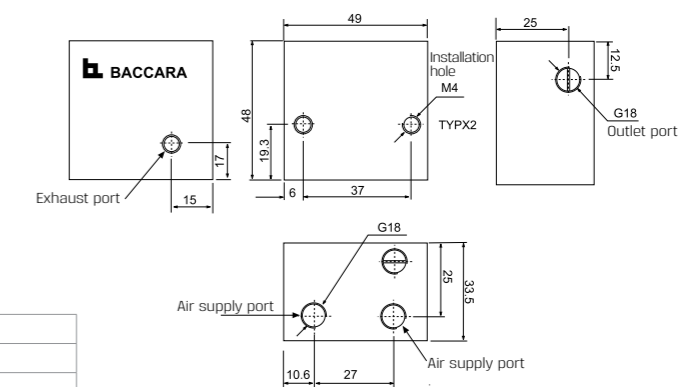
Emergency lock Push-Button



How to Order

33-111-B-E-S	-	FUNCTION
		NC 1
		NO 2

Two Hands Safety Valve



Working pressure	4 - 8 bar ambient
Temperature range	4° C to 50° C
Flow	• Dry air • Regulated and filtered lubrication

*For further information about the safety valve, please refer to valve's instruction manual which can also be downloaded from our website.

How to Order

11252240