

PNEUMATIC VALVES | General Purpose

BC 1/4" Base Mounted Valves

BC Series

- 5 port valves - mechanical, air and solenoid
- Port size : 1/4" BSP
- Can be used as an independent valve or installed on a manifold.



Position Stable Lever Protec 3



Sol-Sol



Air-Air



Single Base Mounted type
Bottom Ported



Manifold

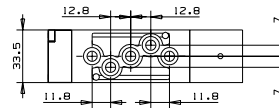
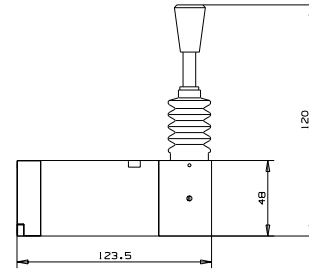
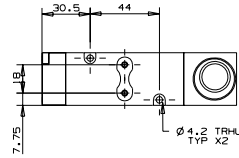
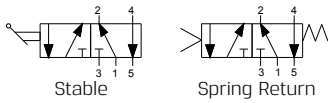
Technical Data

Fluid	Air / Inert gas
Operation pressure	1.5 to 10 bar
Ambient temperature	-5° to 55° C (option for FKM seals) up to 150° C
Lubrication	Not required (use turbine oil class ISO VG32 if lubricated)
Port size	1/4" BSP
Flow rate (Air)	1,100 L/min (at 5.5 bar)

PNEUMATIC VALVES | General Purpose

BC 1/4" Base Mounted Valves | Mechanically/Air Operated

KBCM5 | Lever Protec

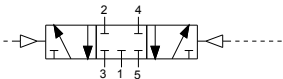


How to Order

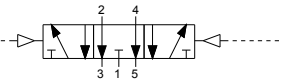
KBCM5	-	ACTUATOR TYPE
		Stable D
		Spring-Return S

Note : This valve can be installed on any of the 3 manifolds (base mounted type) in this section.

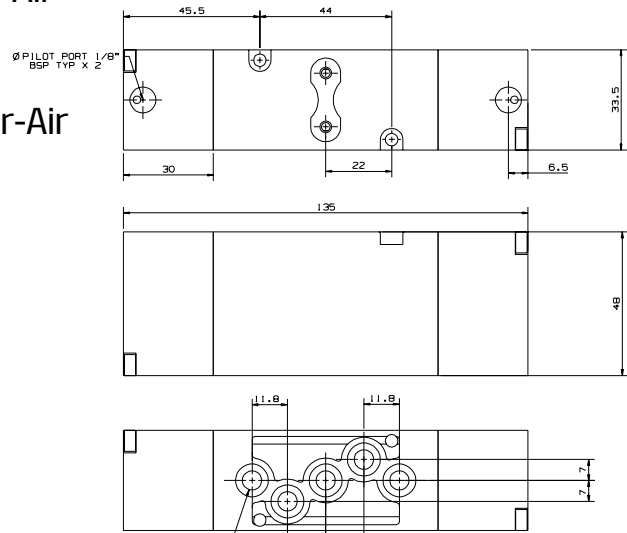
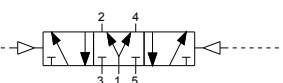
KBCA53-P | 3 Position Closed Center Air-Air



KBCA53-U | 3 Position Exhaust Center Air-Air



KBCA53-Y | 3 Position Pressure Center Air-Air

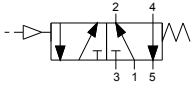


How to Order

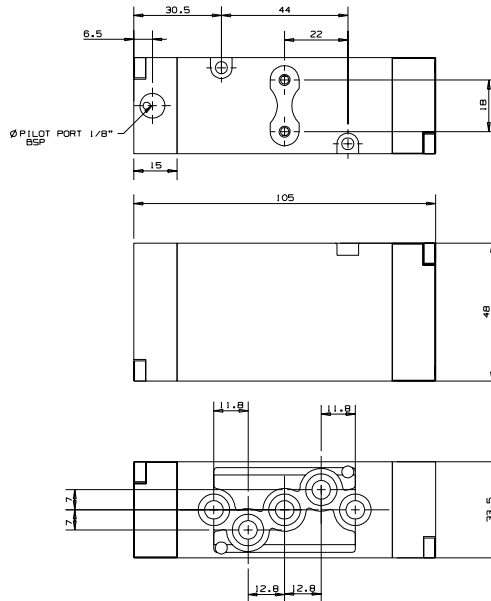
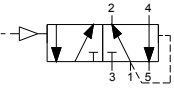
KBCA53	-	FUNCTION
		Closed Center P
		Exhaust Center U
		Pressure Center Y

BC 1/4" Base Mounted Valves | Air Operated

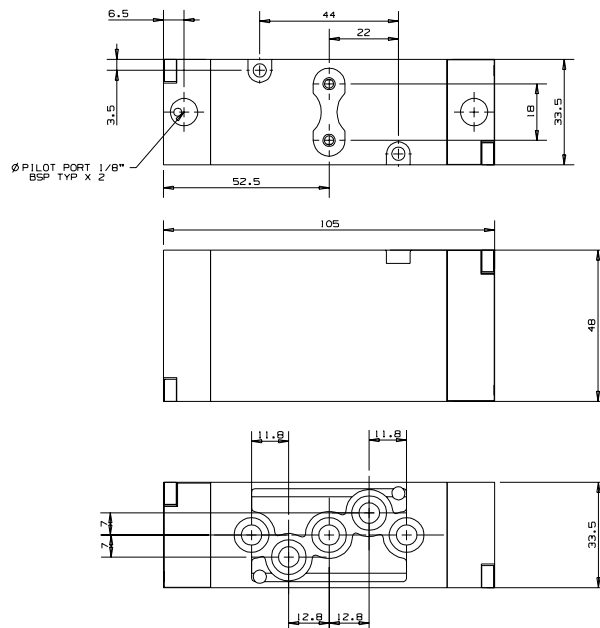
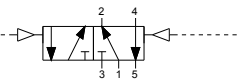
KBCA5-S | Air-Spring



KBCA5-DF | Air-Differential



KBCA5-D | Air-Air



How to Order

KBCA5	-	TYPE
		Air-Spring S
		Air-Dif DF
		Air-Air D

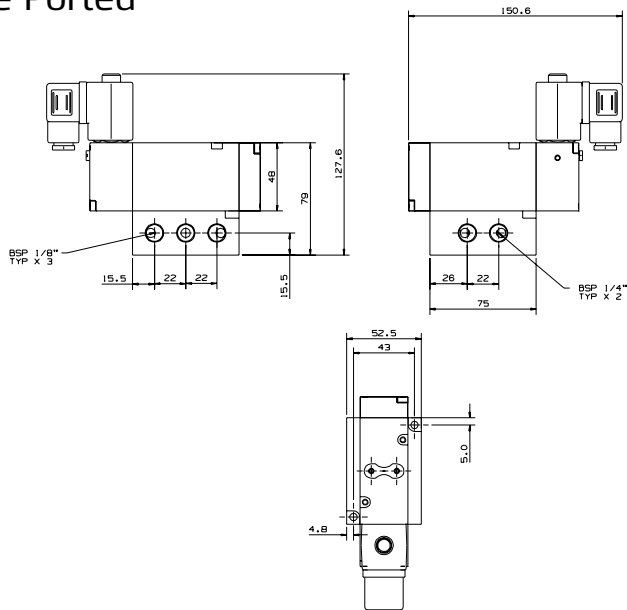
PNEUMATIC VALVES | General Purpose

BC 1/4" Base Mounted Valves | Mechanical/Air/Solenoid Operated

BS | Single Base Mounted type | Side Ported



* Model is for demonstration purposes only
 ** All combinations of valves are available

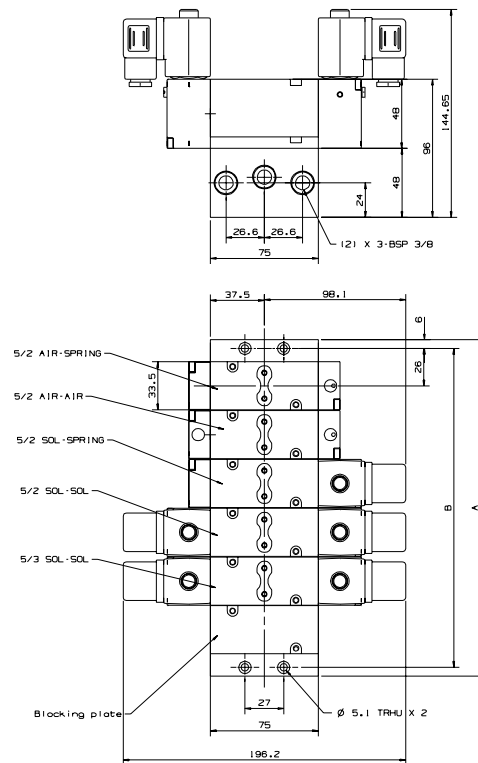
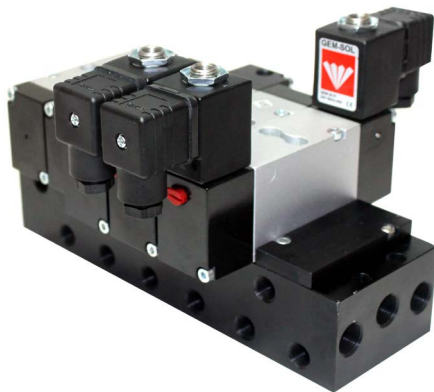


How to Order

BS

BC-BM | Manifold

No. of sections : 2-4-6-8-10-11



How to Order

BC	-	BM	-	No. OF STATIONS
				2
				4
				6
				8
				10
				11

No. of stations	A (mm)	B (mm)
2	98	86
4	166	154
6	234	222
8	302	290
10	370	358
11	404	392