

# PNEUMATIC VALVES | General Purpose

## BC 1/4" Body Ported Valves

### BC Series

- 5 port valves - mechanical, air and solenoid
- 3 port (only Sol-Spring)
- Port size : 1/4" BSP
- Can be used as an independent valve or installed on a manifold.



Lever-Protoc Panel Mounting



Sol-Sol



NAMUR type Air-Spring



Sol-Spring Return



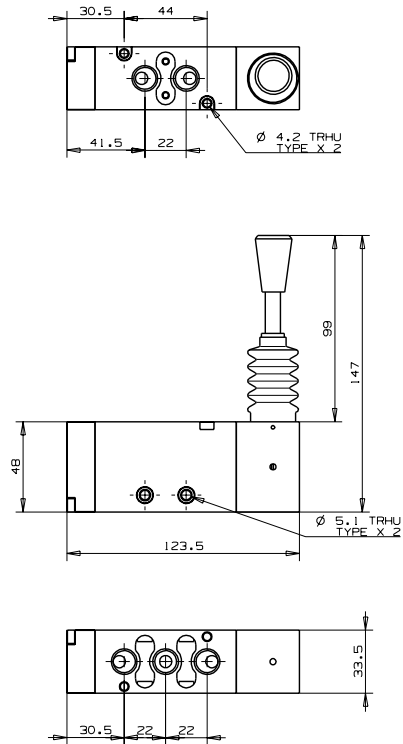
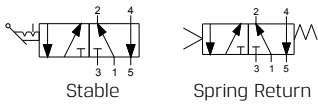
Manifold

### Technical Data

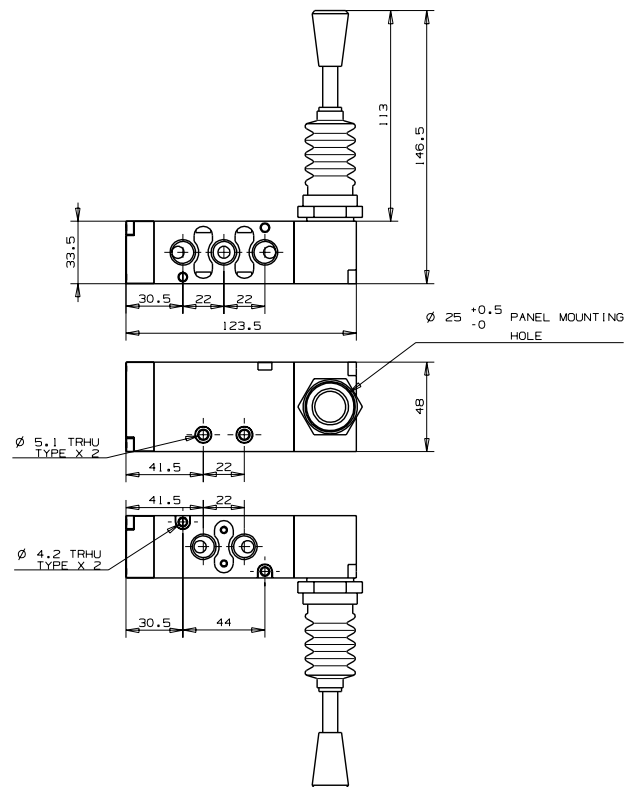
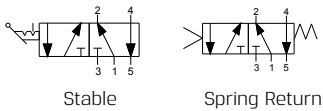
Fluid	Air / Inert gas
Operation pressure	1.5 to 10 bar
Ambient temperature	-5° to 55° C (option for FPM [Viton®] seals) up to 150° C
Lubrication	Not required (use turbine oil class ISO VG32 if lubricated)
Port size	1/4" BSP
Flow rate (Air)	1,100 L/min (at 5.5 bar)

# BC 1/4" Body Ported Valves | Mechanically Operated

## BCM5 | Lever Protec



## BCM5-PM | Lever Protec Panel Mounting



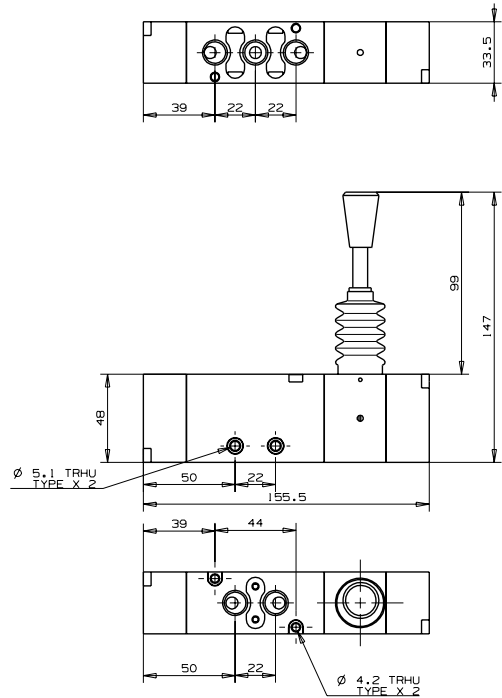
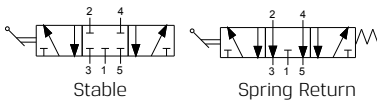
## How to Order

BCM5	MODEL	ACTUATOR TYPE
w/out panel mounting	Nil	Stable D
with panel mounting	PM	Spring Return S

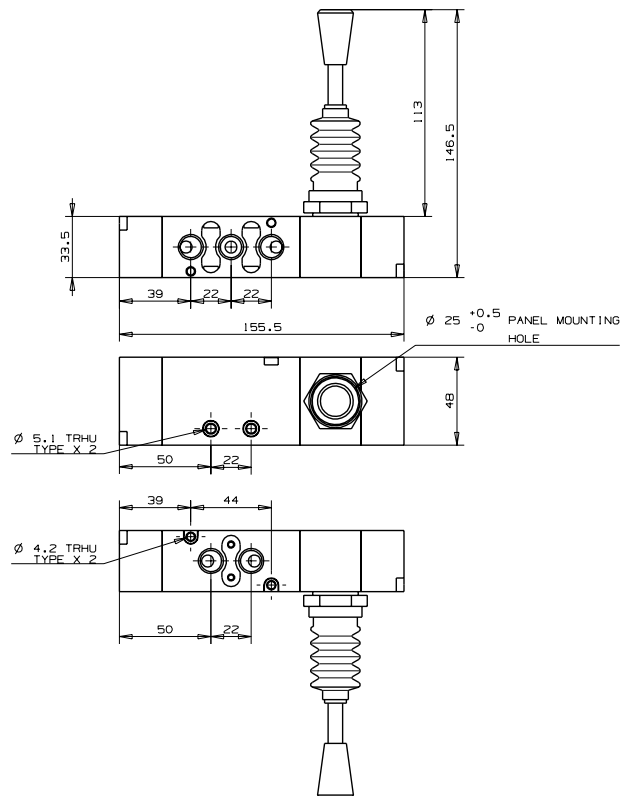
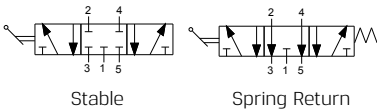
# PNEUMATIC VALVES | General Purpose

## BC 1/4" Body Ported Valves | Mechanically Operated

### BCM5 | 3 Position Closed & Open Center Lever Protec



### BCM5-PM | 3 Position Closed & Open Center Lever Protec Panel Mounting



### How to Order

BCM5	-	MODEL	-	FUNCTION	-	ACTUATOR TYPE
		w/out panel mounting <sup>(1)</sup>		Nil		Closed Center P Stable D
		with panel mounting		PM		Exhaust Center U Spring Return S
						Pressure Center Y

(1) Can be installed on a manifold (body ported type)