

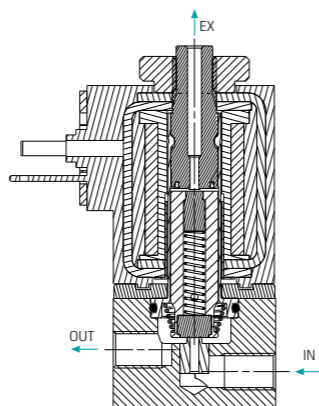
SOLENOID VALVES | General Purpose

Direct Operated | 3W

G65-A | 3 Way NC



Aluminium | 1.2 orifice



Technical Data

Function	3 Way NC
Ports size	M5, #10UNF
Orifice size	See table
Pressure range	See table
Kv (l/min)	See table
Temperature range	Fluid : -10°C to 80°C (no freezing) Ambient : -10°C to 50°C
Materials in contact with media	Main Valve: Aluminium, Stainless Steel AISI 316, Brass Solenoid Operator Stainless Steel AISI 300 & 400 series, Brass Seals: NBR, FKM, EPDM
Media	Air, water, oil
Coil voltage	• Voltage and power consumption - see table • All Baccara coil voltages are ± 10% of nominal
Standard protection class	IP65 with connector

Max. Pressure (bar) 3W NC table

Coil Current/Power	Orifice (mm)		
	0.8	1.0	1.2
AC - 3.6VA	10	8.5	5.5
DC - 3W	10	8.5	5.5
Flow factor Kv(l/min)	0.4	0.5	0.65

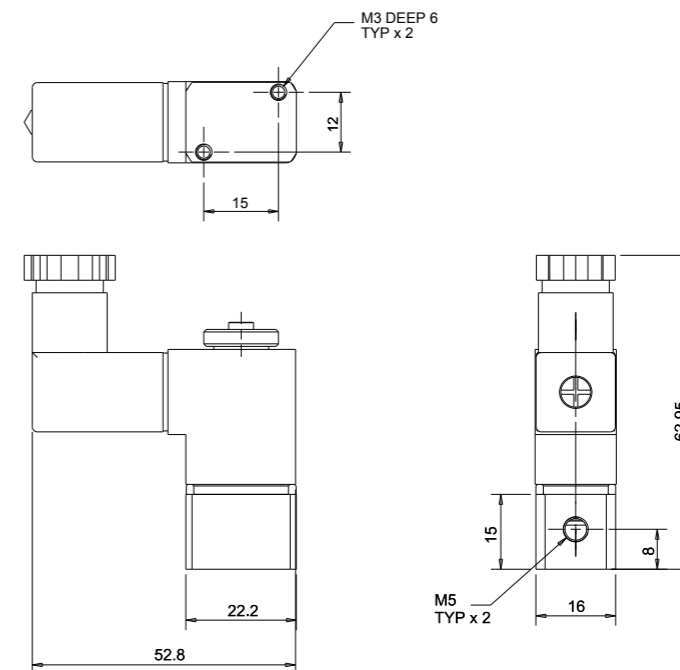
Voltage & Power Consumption

V	AC 50Hz		DC (W)
	3.2VA	3.6VA	3
12			•
24		•	•
110		•	
230	•		

• Available options

Direct Operated | 3W | G65 | NC

Dimensions



How to Order

G65-A	BODY ⁽¹⁾	PORT	FUNCTION	ORIFICE	SEALS	MANUAL OVERRIDE	VOLTAGE	POWER	CONNECTOR								
Aluminium	1	M5	00	3W NC	3	0.8	1	NBR	N	None	0	W/out coil	0	No coil	0	without	0
Brass	2	#10UNF	01			1.0	2	FKM	V			12	2	AC3.6VA ⁽²⁾ 50Hz	1	with	1
Stainless Steel	3					1.2	3	EPDM	E			24	3	DC3W	3	other	9
							110					5					
							230					7					

Example : G65-A-10032V0-310

G65 direct operated, aluminium, M5, 3W NC, 1mm orifice, FKM, without manual override, 24V, AC 3.6VA 50Hz without connector.



(1) For Stainless Steel tube, add "s" : e.g. G65-A - xs x x x x x x x x x x

(2) When choosing 230V AC, the power is 3.2VA

* To order valves manufactured according to your specific requirements, please contact our technical sales department.