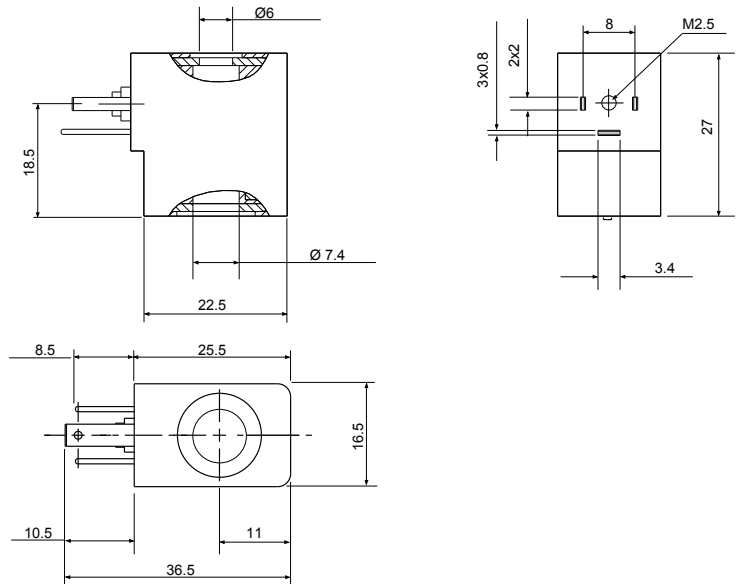


# SOLENOID VALVES | Spare Parts

## Coils

### G65-B | Coil



### Technical Data

Coil winding insulation	F 155°C
Temperature range	<b>Coil</b> : -20°C to 120°C   <b>Ambient</b> : -20°C to 50°C
Construction	in accordance with EN 60204.1
Duty cycle *	100% ED
Electrical connection	AMP 6.3x0.8, DIN 43650, 2 poles + 1 earth
Connector	<ul style="list-style-type: none"> <li>DIN 43650</li> <li>Fixture : M3 screws, 2 positions at 180°</li> <li>* Max. tightening torque for the connector screw : 0.5 Nm</li> </ul>
Assembly	On a valve, 4 positions at 90°
Coil fixing	On a G65 operator with MF6x0.75 nut
Impregnation	Optional
Coil voltage	<ul style="list-style-type: none"> <li>Voltage and power consumption - see table</li> <li>All Baccara coil voltages are <math>\pm 10\%</math> of nominal</li> </ul>
Standard protection class	IP65 with connector

- The coil should not be energized without being assembled on the operator
- \* Please consult with our technical sales department :
  - for further information on using different power coils (not shown in the table)
  - for long term operation

### Power Consumption table (AC)

Type	50 Hz	
	Inrush	Holding
3.6VA	5.2VA	4.3VA

### Power Consumption table (DC)

Type
3W

### Voltage & Power Consumption

V	AC 50Hz		DC (W)
	3.2VA	3.6VA	3
12			•
24		•	•
110		•	
230	•		

- Available options

### How to Order

G65-B	-	VOLTAGE	POWER	CONNECTOR
12	2	AC3.6VA (1) 50Hz	1	without 0
24	3	DC 3W	3	with 1
110	5			
230	7			

#### Example : G65-B-331

G65 Coil 24V DC 3W with connector.



(1) When choosing 230V AC, the power is 3.2VA

\* To order coils manufactured according to your specific requirements, please contact our technical sales department.