

# SOLENOID VALVES | Spare Parts

## Operators

### G65-0 | Operator 2 Way, 3 Way NC

Applicable for G65-A & G65-M valves



### Technical Data

Function	2 Way, 3 Way NC
Orifice size	2 Way : No orifice 3 Way : 0.8, 1.0, 1.2 mm
Pressure range (bars)	See solenoid valve performances
Temperature range	<b>Fluid</b> : -10°C to 80°C (no freezing) <b>Ambient</b> : -10°C to 50°C
Response time	5 to 12 ms
Materials in contact with media	<b>Operator:</b> Brass or Stainless Steel AISI 300 & 400 series <b>Shading ring:</b> Copper <b>Note :</b> Operator for DC is without shading ring and may not be used for AC <b>Orifice:</b> Stainless Steel
Media	Air, oil, water *
Threads on operator tube	MF6x0.5
Operator assembly	Insert operator into cavity, tighten it by the flange and the two M2.5 screws. Fix the coil with one MF6x0.5 nut. <b>Max. tightening torque : 2 N/m</b>
Coil fixing	On a G65 operator with MF6x0.75 nut
Coil data	See technical G65 coil data
Coil voltage	• Voltage and power consumption - see table • All Baccara coil voltages are ± 10% of nominal

\* For other fluids and for use in abnormal conditions, please contact our technical sales department

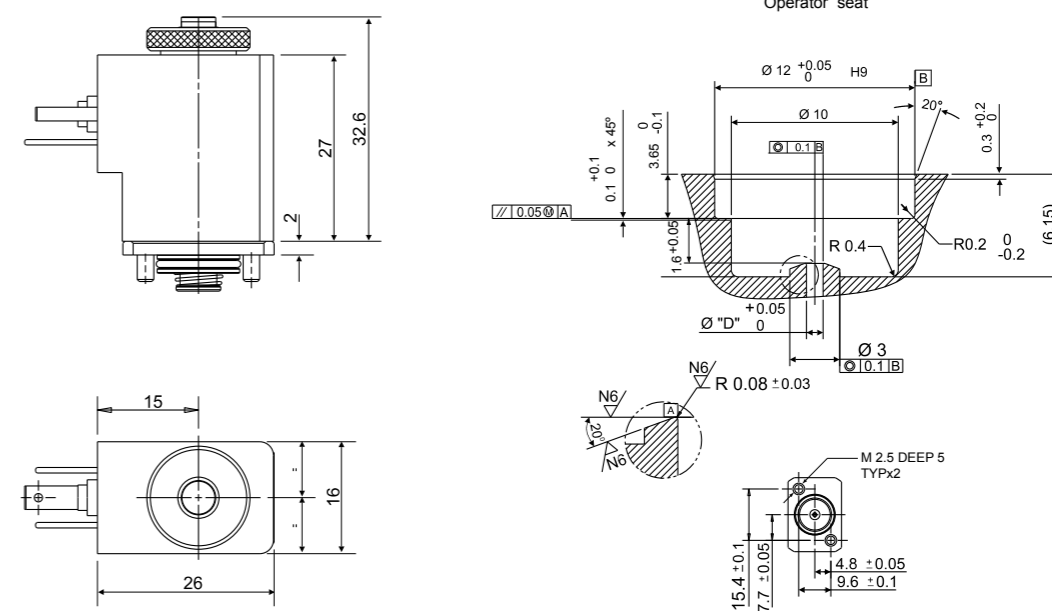
### Voltage & Power Consumption

V	AC 50Hz		DC (W)
	3.2VA	3.6VA	3
12			•
24		•	•
110		•	
230	•		

• Available options

## Operators | G65 | 2 Way, 3 Way NC

### Dimensions



### How to Order

#### 2W

G65-0	TUBE	FUNCTION	CURRENT	SEALS	VOLTAGE	POWER	CONNECTOR
Brass	2	2W NC	1 DC	NBR N	W/out coil	0	without 0
Stainless Steel	3		1 AC	FPM (Viton®) V	12	2 AC3.6VA (1) 50Hz	with 1
				EPDM E	24	3 DC3W	3

#### 3W

G65-0	TUBE	FUNCTION	CURRENT	ORIFICE
Brass	2	3W NC	3 DC	0 0.8 1
Stainless Steel	3		1 AC	1 1.0 2
				1.2 3

Example : G65-0-210-N-331

G65 Operator, brass tube, 2W NC, DC, NBR, 24V DC 3W with connector.

G65-0 - 2 - 1 - 0 - N - 3 - 3 - 1

Example : G65-0-3303-N-331

G65 Operator, Stainless Steel tube, 3W NC, DC, 1.2 orifice, NBR, 24V DC 3W with connector.

G65-0 - 3 - 3 - 0 - 3 - N - 3 - 3 - 1

(1) When choosing 230V AC, the power is 3.2VA

\* To order operators manufactured according to your specific requirements, please contact our technical sales department.