

# SOLENOID VALVES

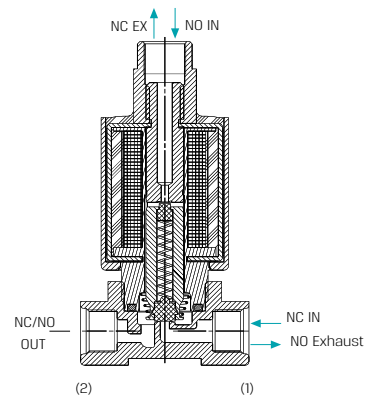
## G75-A | 1/8", 1/4" 2 Way, 3 Way NC, NO



G75-A Brass



G75-A Plastic



### Technical Data

Function	2 Way, 3 Way NC, NO
Ports size	1/8" and 1/4" BSP & NPT
Orifice size	See table
Pressure range	See table
Temperature range	<b>Fluid</b> : 5°C to 50°C   <b>Ambient</b> : -10°C to 50°C
Materials in contact with media	<b>Manual override:</b> Reinforced Nylon <b>Main Valve:</b> Brass or Reinforced Nylon <b>Solenoid Operator:</b> Stainless Steel AISI 300 & 400 series <b>Seals:</b> EPDM
Coil voltage	• Voltage and power consumption - see table
Standard protection class	IP66

- Available with brass adaptor upon request.

### Max. Pressure (bar) table

Function	Orifice (mm)	AC	DC	DC Latch
2W NC	up to 2.0	12	12	12
3W NC	1	16	12	16
	1.2	11	9	11
3W NO	1.6	6	5	6
	1.0	16	16	16
	1.2	12	12	12
	1.6	8	8	8

### Voltage & Current table

Solenoid	Voltage	Inrush [A]	Holding [A]
2W 50 Hz	V +10% n-20%	0.3	0.19
2W 60 Hz		0.2	0.14
3W 50/60 Hz		0.125	0.125
DC		4.5W	

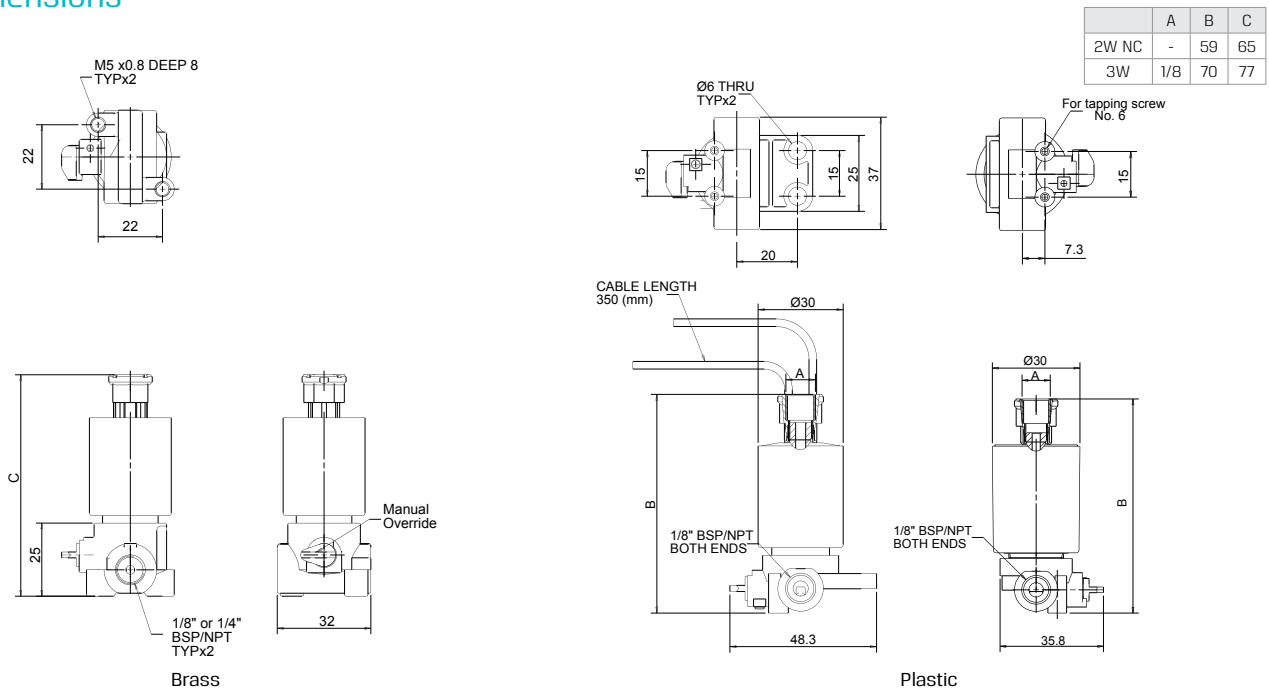
### Voltage & Power Consumption

	AC (W)	DC (W)
	50 Hz	
V	2	4.5
12	•	•
24	•	•
110	• 2W only	

- Available options

## G75-A | 1/8", 1/4" 2 Way, 3 Way NC, NO

## Dimensions



## How to Order

G75-A	-	TYPE	PORT	FUNCTION	MANUAL OVERRIDE	ORIFICE	-	VOLTAGE	WIRES
		with flange	1 1/8" BSP	10 2W NC	1 None	0 1.0	1	24V AC	1 two null
		without flange	2 1/8" NPT	11 3W NC	3 Plastic <sup>(2)</sup>	1 1.2	2	24V AC w/out Diode	1R three <sup>(4)</sup> a
		Brass	3 1/4" BSP <sup>(1)</sup>	20 3W NO	4	1.6	3	12V AC	3
			21 1/4" NPT <sup>(1)</sup>	2.0		4	12V DC	4	24V DC
								24 Latch (23Ω)	6
								110V AC <sup>(3)</sup>	7
								6 Latch (4Ω)	B
								12 Latch (9Ω)	C
								16 Latch (12Ω)	D

## Example : G75-A-110320-1

G75 with flange, 1/8" BSP, 3W NC, 1.2 orifice, no manual override, 24V AC coil.

G75-A - 1 10 3 2 0 - 1

(1) Brass only

(2) Recommended for AC and continuous DC only

(3) Only available in 2W - see dimensions details on page 94.

(4) For Latch only

\* To order valves manufactured according to your specific requirements, please contact our technical sales department.