

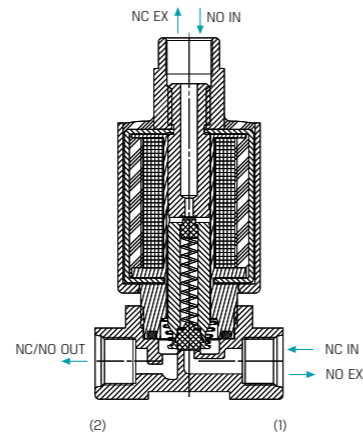
SOLENOID VALVES | General Purpose

Direct Operated | 3W

G75-A | 1/8", 1/4" 3 Way NC, NO



Brass | 1/4"



Technical Data

Function	3 Way NC, NO
Ports size	1/8" and 1/4" BSP & NPT
Orifice size	See table
Pressure range	See table
Temperature range	Fluid : 5°C to 50°C (no freezing) Ambient : -10°C to 50°C
Materials in contact with media	Manual override: Reinforced Nylon Main Valve: Brass Solenoid Operator: Stainless Steel AISI 300 & 400 series Seals: EPDM
Coil voltage	• Voltage and power consumption - see table • All Baccara coil voltages are ± 10% of nominal
Standard protection class	IP66

• Available with brass adaptor upon request.

Max. Pressure (bar) table

Function	Orifice (mm)	AC	DC	DC Latch
3W NC	1	16	12	16
	1.2	11	9	11
	1.6	6	5	6
3W NO	1.0	16	16	16
	1.2	12	12	12
	1.6	10	10	10

Voltage & Power Consumption

	AC (W)	DC (W)
	50 Hz	
V	2	4.5
12	•	•
24	•	•

• Available options

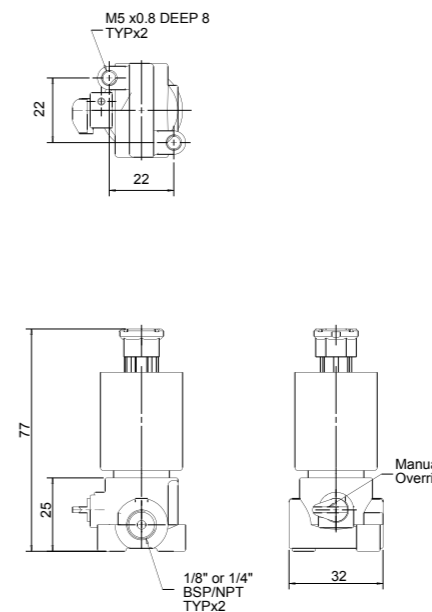
Voltage & Current table

Solenoid	Voltage	Inrush [A]	Holding [A]
2W 50 Hz	V +10% n-20%	0.3	0.19
2W 60 Hz		0.2	0.14
3W 50/60 Hz *		0.125	0.125
DC		4.5W	

* Except 24V AC without Diode

Direct Operated | 3W | G75 | 1/8", 1/4" NC, NO

Dimensions



How to Order

G75-A	-	TYPE ⁽¹⁾	PORT	FUNCTION	MANUAL OVERRIDE	ORIFICE	-	VOLTAGE ⁽⁶⁾	WIRES
Brass	3	1/8" BSP	10	3W NC	3 None	0 1.0	1	24V AC	1 two null
		1/8" NPT	11	3W NO	4 Plastic ⁽³⁾	1 1.2	2	24V AC w/out Diode ⁽⁵⁾	1R three ⁽⁴⁾ a
		1/4" BSP	20				3	12V AC	3
		1/4" NPT	21				4	12V DC	4
							5	24V DC	5
							6	23Ω	6
							7	4Ω	B
							8	9Ω	C
							9	12Ω	D

Coil resistance vs input voltage range

Resistance [Ω]	Suitable input voltage range [V]
4	6 - 9
9	12 - 14
12	14 - 16
23	18 - 21

Example : G75-A-310302-1

G75 Brass, 1/8"BSP, 3W NC, no manual override, 1.2 orifice, 24V AC coil, two wires

G75-A - 3 10 3 0 2 - 1

- (1) G75-A valves are also available in plastic
- (2) For 2mm orifice : top orifice is 1.6mm
- (3) Recommended for AC and continuous DC only
- (4) For Latch only
- (5) 3W NO 1.6 mm : Max pressure is 8 bars
- (6) For Latch : Refer to coil resistance vs input voltage table

* To order valves manufactured according to your specific requirements, please contact our technical sales department.