

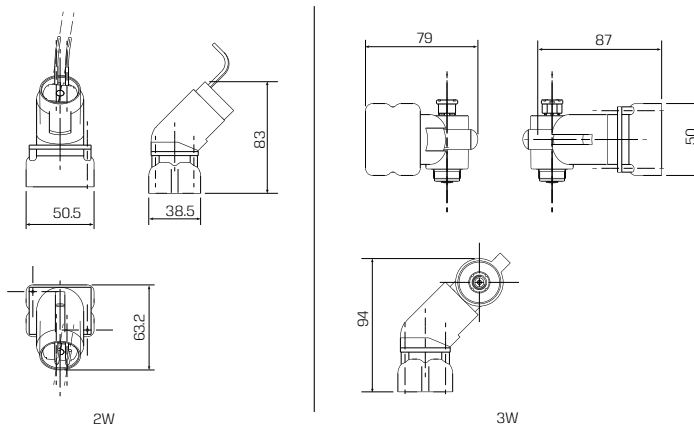
SOLENOID VALVES | Special Purpose

Plastic

G75-LDO | Long distance operator 2 Way, 3 Way NC, NO



LDO unit assembled with G75-A operator and solenoid



A small section conductor can be used at a distance of up to 5 kms

Technical Data

Function	2 Way, 3 Way NC, NO
Current	Holding 4mA
Pressure range	Refer to G75 Latch operator
Power	DC12V (0.05W) up to DC24V (0.1W)
Connection	Red/Black - power supply Green/Black - coil
Ambient temp	-10°C to 60°C
Solenoid	Compatible with G75 4Ω latch operator
Valve	Can operate any valve equipped with 3/4" UNEF solenoid cavity (Richdel® type).
Applications	<ul style="list-style-type: none"> • Cost saving wiring for remote solenoid operation • Power saving and heat prevention on continuous energized solenoid
Voltage	Voltage and power consumption - see table
Standard protection class	IP67 (LDO only)

* For recommended wire parameters, please refer to Long distance operators charts

Voltage	Distance (km)	Conduit section (mm ²)	Delay time (sec)	
			On	Off
12/24	0	0.5	3	1
12	5	0.5	12	1
24	5	0.5	8	1

Max conduit resistance 390Ω at nominal voltage

Voltage & Power Consumption

	AC (W)		DC(W)
	50 Hz	60 Hz	
V	0.3	0.3	0.3
12			•
24	•	•	

• Available options

How to Order

G75-LDO	-	VOLTAGE	-	Please refer to the "How to Order" definitions of the assembled G75 valve.
		24 VAC & 12-24 VDC	9	

Example : G75-LDO-9-G75-A-11032B-1

G75-LDO 24V AC is attached to a G75-A with flange, 1/8" BSP, 3W NC 12 orifice, no manual override, 4Ω latch coil, two wires

G75-LDO	-	9	-	G75-A	-	1		10		3		2		B	-	1
---------	---	---	---	-------	---	---	--	----	--	---	--	---	--	---	---	---

* To order valves manufactured according to your specific requirements, please contact our technical sales department.