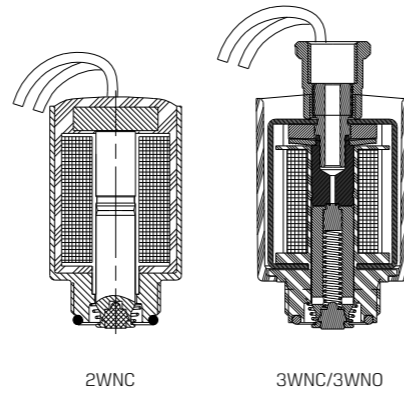


SOLENOID VALVES

G75-0 | Latch Operator 2 Way, 3 Way NC, NO

Applicable for G75-A, GALIT, G75-S & G75-Z valves



Technical Data

Function	2 Way, 3 Way NC, NO Latch
Orifice size	2 Way : No orifice 3 Way : See table
Pressure range (bars)	See solenoid valve performances
Capacitors	• 4700µF for 9V DC • 2200µF for 12V DC
Switching time	25-50 ms
Temperature range	Fluid : 5°C to 50°C (no freezing) Ambient : -10°C to 50°C
Materials in contact with media	Housing: Reinforced Nylon 66 Plunger & pole: Passivated Stainless Steel AISI 430F Rubber Seals: EPDM Encapsulate: Polyurethane Spring: Stainless Steel AISI 300 series
Threads on operator tube	G1/8" or 1/8" NPT female to connect exhaust, muffler etc
Two wire operator	One coil with exit of 2 lead wires. To pull the plunger up, connect the black wire (-) and the green to the (+).
Three wire operator	One coil and an integrated electrical circuit. To pull plunger up, pulse is given to the red wire (-). To release the plunger, pulse is given to the black wire (-). Operate only by a controller.
Electrical connection	• Lead wires 35 cm, 18 AWG (0.75mm ²) (black/green) • Lead wires : red, white, black for 3 wires
Voltage	9, 12V DC (coils for other voltages available)
Standard protection class	IP66

• Available with brass adaptor

Working pressure (bar) 2W NC

Orifice (mm)	up to 2.0
Pressure (bar)	12

Working pressure (bar) 3W NC

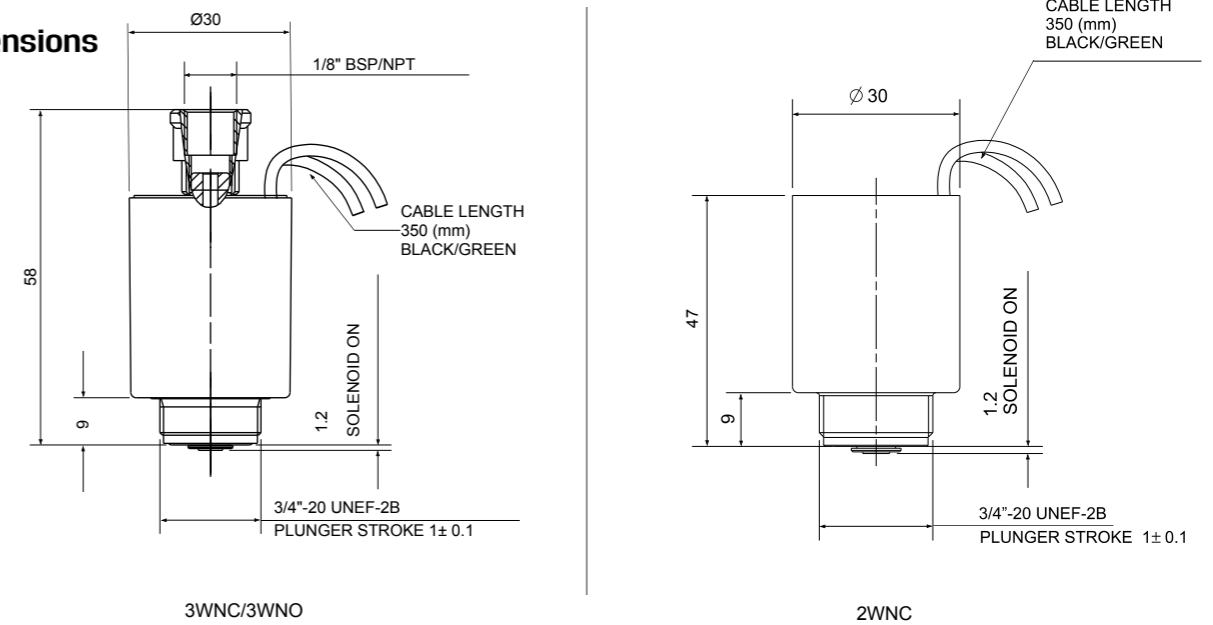
Orifice (mm)	1.0	1.2	1.6
AC Pressure (bar)	16	11	6

Working pressure (bar) 3W NO

Orifice (mm)	1.0	1.2	1.6
Pressure (bar)	16	12	10

G75-0 | Latch Operator 2 Way, 3 Way NC, NO

Dimensions



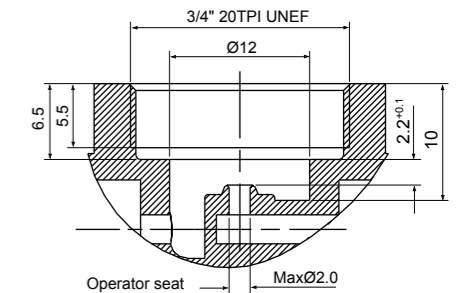
How to Order

2W

G75-0	FUNCTION	VOLTAGE VDC (1)	WIRES
	2W NC 1	4Ω B	two null
		9Ω C	three a
		12Ω D	
		23Ω 6	

3W

G75-0	PORT	FUNCTION	ORIFICE
	1/8" BSP 10	3W NC 3	1.0 1
	1/8" NPT 11	3W NO 4	1.2 2
			1.6 3

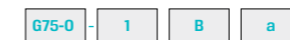


Coil resistance vs input voltage range

Resistance [Ω]	Suitable input voltage range [V]
4	6 - 9
9	12 - 14
12	14 - 16
23	18 - 21

Example : G75-0-1-Ba

G75 latch solenoid operator, 2W NC, 4Ω, 3 wires



Example : G75-0-1042-Ca

G75 latch solenoid operator, 1/8" BSP, 3W NO, 1.2 orifice, 9Ω, 3 wires



(1) Refer to coil resistance vs input voltage table

* To order operators manufactured according to your specific requirements, please contact our technical sales department