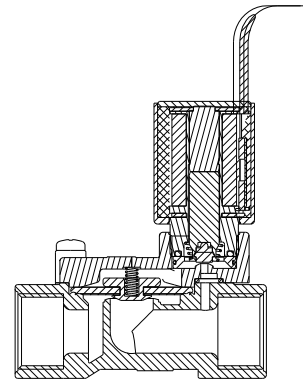


ELECTRIC & HYDRAULIC VALVES

G75-S | Pilot operated 3/8", 1/2" 2 Way NC



Plastic | 1/2" | NC



Flow direction →

Technical Data

Function	2 Way NC
Ports size	3/8", 1/2" BSP & NPT
Orifice size	12mm
Pressure range	0.5 to 12 bar * Minimum pressure differential of 0.5 is required
Kv (l/min)	35 l/min
Temperature range	Fluid : 5°C to 50°C Ambient : -10°C to 50°C
Materials in contact with media	Main Valve: Reinforced Nylon Solenoid Operator: Stainless Steel AISI 300 & 400 series Seals: NBR, EPDM, FPM (Viton®) Spring: Stainless Steel AISI 300 series
Solenoid	G75 2W NC solenoids, all voltages.
Coil voltage	• Voltage and power consumption - see table • All Baccara coil voltages are ± 10% of nominal
Standard protection class	IP65

Voltage & Power Consumption

V	AC (W)	DC (W)
	50 Hz	
12	•	•
24	•	•
110	•	
	2W only	

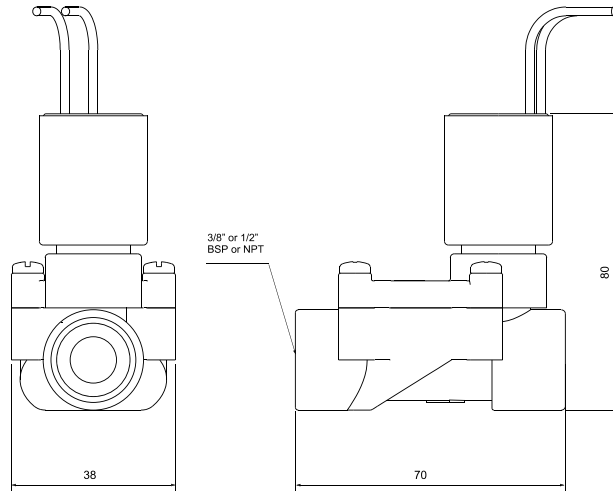
• Available options

Voltage & Current table

Solenoid	Voltage	Inrush [A]	Holding [A]
2W 50 Hz	V +10% n-20%	0.3	0.19
2W 60 Hz		0.2	0.14
3W 50/60 Hz		0.125	0.125
DC		4.5W	

G75-S | Pilot operated 3/8", 1/2" 2 Way NC

Dimensions



How to Order

G75-S	BODY	PORT	FUNCTION	SEALS	MANUAL OVERRIDE	VOLTAGE	WIRES
-	Plastic 4	3/8" BSP 30	2W NC 1	NBR N FPM (Viton®) V EPDM E	None 0	24V AC 1	two null three ⁽¹⁾ a
		3/8" NPT 31				12V AC 3	
		1/2" BSP 40				12V DC 4	
		1/2" NPT 41				24V DC 5	
						24 Latch(23Ω) 6	
						110V AC 7	
						6 Latch (4Ω) B	
						12 Latch(9Ω) C	
						16 Latch(12Ω) D	

Example : G75-S-4401N0-1

G75 pilot operated, 1/2" BSP, 2W NC, NBR, no manual override, 24V AC, two wires

G75-S - 4 40 1 N 0 - 1

(1) For Latch only

* To order valves manufactured according to your specific requirements, please contact our technical sales department.