

ELECTRIC & HYDRAULIC VALVES

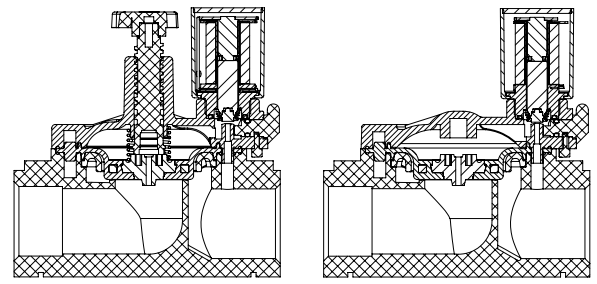
G75-S | Electric 3/4" - 2" 2 Way NC



G75-S | 1" | NC with plastic manual override



G75-S | 2" | NC Latch with handle manual override



Flow direction →
with flow control without flow control

Technical Data

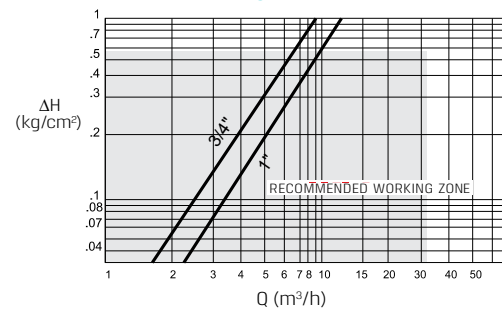
Function	2 Way NC
Ports size	3/4", 1", 1-1/2", 2" BSPT & NPT
Pressure range	0.3 to 10bar
Temperature range	Fluid : 5°C to 50°C Ambient : -10°C to 50°C
Materials in contact with media	Manual override: Reinforced Nylon Main Valve: Reinforced Nylon Solenoid Operator: Stainless Steel AISI 300 & 400 series Diaphragm: 3/4" - 1" : EPDM 1-1/2" - 2" : NR Seals: Buna - N Spring: Stainless Steel AISI 300 series
Solenoid	<ul style="list-style-type: none"> G75, 2W NC solenoids, all voltages. AC, DC and Latch
Coil voltage	<ul style="list-style-type: none"> Voltage and power consumption - see table All Baccara coil voltages are ± 10% of nominal

Voltage & Power Consumption

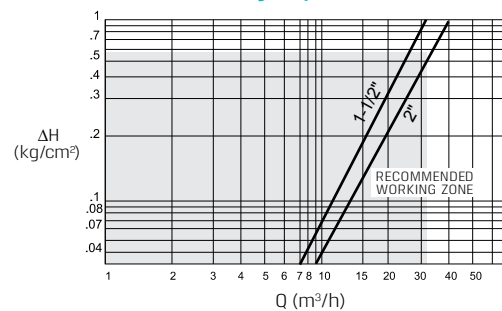
	AC (W)	DC (W)
	50 Hz	
V	2	4.5
12	•	•
24	•	•
110	•	
	2W only	

• Available options

Head loss for fully open valve



Head loss for fully open valve

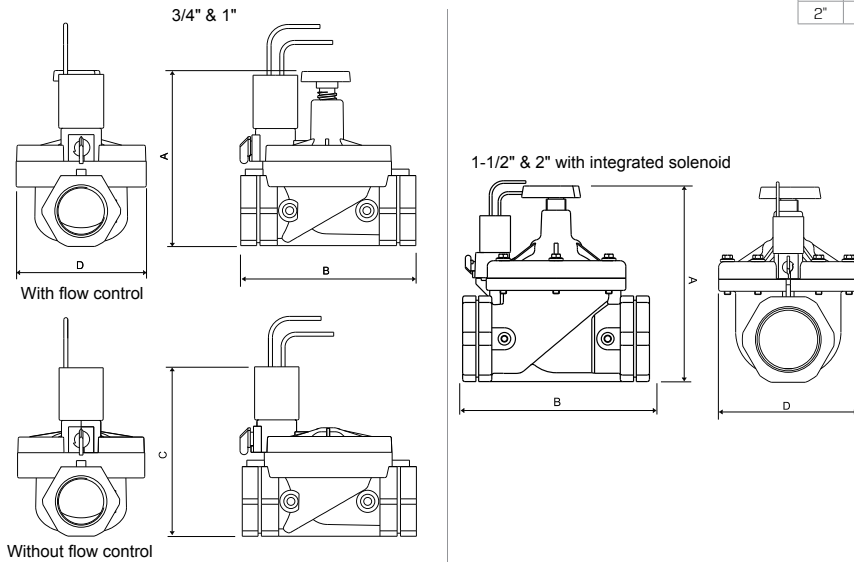


Voltage & Current table

Solenoid	Voltage	Inrush [A]	Holding [A]	
2W 50 Hz	V	0.3	0.19	
2W 60 Hz		+10%	0.2	0.14
3W 50/60 Hz		n-20%	0.125	0.125
DC		4.5W		

Dimensions

Size	A	B	C	D	Weight (gr)
3/4"	105	110	105	81	230
1"	112	110	112	81	230
1-1/2"	180	160	126	127	740
2"	190	170	126	127	790



How to Order

G75-S	PORT	FUNCTION	MANUAL OVERRIDE	FLOW CONTROL	VOLTAGE	WIRES					
3/4" BSPT	50	2W NC	1	None	0	with	5	24V AC	1	two	null
3/4" NPT	51		Plastic	1	without ⁽²⁾	6	12V AC	3	three ⁽¹⁾	a	
1" BSPT	60		Handle ⁽¹⁾	2			12V DC	4			
1" NPT	61					24V DC	5				
1-1/2" BSPT	70					24 Latch(23Ω)	6				
1-1/2" NPT	71					110V AC	7				
2" BSPT	80					6 Latch (4Ω)	B				
2" NPT	81					12 Latch(9Ω)	C				
						16 Latch(12Ω)	D				

Example : G75-S-501051

G75 electric valve, 3/4" BSPT, 2W NC, no manual override, with flow control, 24V AC, two wires.

G75-S - 50 1 0 5 1

- (1) For Latch only
- (2) 3/4", 1" valves only

* To order valves manufactured according to your specific requirements, please contact our technical sales department.