

SOLENOID VALVES | Special Purpose

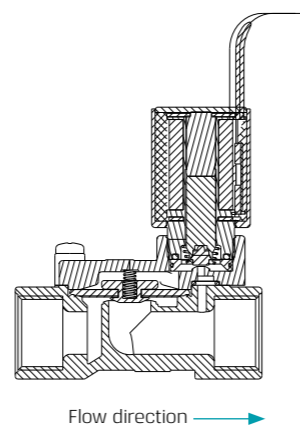
Plastic

Plastic | G75 | Pilot operated 3/8", 1/2" 2 Way NC

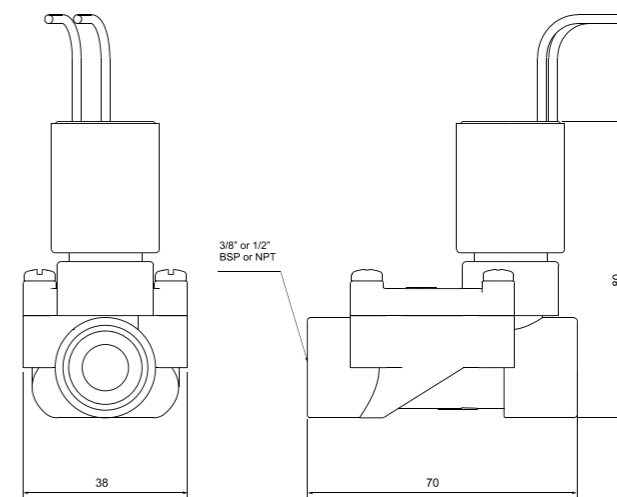
G75-S | Pilot operated 3/8", 1/2" 2 Way NC



Plastic | 1/2"



Dimensions



Technical Data

Function	2 Way NC
Ports size	3/8", 1/2" BSP & NPT
Orifice size	12mm
Pressure range	0.5 to 12 bar * Minimum pressure differential of 0.5 is required
Kv (l/min)	35 l/min
Temperature range	Fluid : 5°C to 50°C (no freezing) Ambient : -10°C to 50°C
Materials in contact with media	Main Valve: Reinforced Nylon Solenoid Operator: Stainless Steel AISI 300 & 400 series Seals: NBR, EPDM, FPM (Viton®) Spring: Stainless Steel AISI 300 series
Solenoid	G75 2W NC solenoids, all voltages.
Coil voltage	• Voltage and power consumption - see table • All Baccara coil voltages are ± 10% of nominal
Standard protection class	IP65

Voltage & Power Consumption

V	AC (W)	
	50 Hz	DC (W)
12	2	4.5
24	•	•
110	•	•

• Available options

Voltage & Current table

Solenoid	Voltage	Inrush [A]	Holding [A]
2W 50 Hz	V +10% n-20%	0.3	0.19
2W 60 Hz		0.2	0.14
3W 50/60 Hz		0.125	0.125
DC		4.5W	

How to Order

G75-S	BODY	PORT	FUNCTION	SEALS	MANUAL OVERRIDE	VOLTAGE ⁽¹⁾	WIRES
	Plastic 4	3/8" BSP 30 3/8" NPT 31 1/2" BSP 40 1/2" NPT 41	2W NC 1	NBR N FPM (Viton®) V EPDM E	None 0	24V AC 1 12V AC 3 12V DC 4 24V DC 5 23Ω 6 110V AC 7 4Ω B 9Ω C 12Ω D	two Null three ⁽²⁾ a

Coil resistance vs input voltage range

Resistance [Ω]	Suitable input voltage range [V]
4	6 - 9
9	12 - 14
12	14 - 16
23	18 - 21

Example : G75-S-4401N0-1

G75 pilot operated, 1/2" BSP, 2W NC, NBR, no manual override, 24V AC, two wires

G75-S - 4 40 1 N 0 - 1

(1) For Latch : Refer to coil resistance vs input voltage table
(2) For Latch only

* To order valves manufactured according to your specific requirements, please contact our technical sales department.