

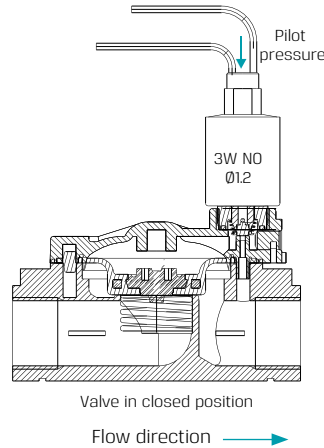
SOLENOID VALVES | Special Purpose

Plastic

G75-Z | Electric zero differential pressure 3/4" - 2" 2 Way NC



1" | 2W NC | plastic manual override



Technical Data

Function	2 Way NC
Ports size	3/4", 1", 1-1/2", 2" BSPT & NPT
Pressure range	Line: 0-6 bar Pilot: 1.5 bar above line pressure
Temperature range	Fluid : 5°C to 50°C (no freezing)
Materials in contact with media	Manual override: Reinforced Nylon
	Main Valve: Reinforced Nylon
	Solenoid Operator: Stainless Steel AISI 300 & 400 series
	Diaphragm: NR
	Seals: Buna-N
	Spring: Stainless Steel AISI 300 series
Solenoid	Supplied with G75 1.2mm 3 Way NO solenoid

• For overall dimensions, refer to G75-S | Electric 3/4" - 2" 2 Way NC

Voltage & Power Consumption

	AC (W)	DC(W)
	50 Hz	
V	2	4.5
12	•	•
24	•	•

• Available options

Voltage & Current table

Solenoid	Voltage	Inrush [A]	Holding [A]
2W 50 Hz	V +10% n-20%	0.3	0.19
2W 60 Hz		0.2	0.14
3W 50/60 Hz*		0.125	0.125
DC		4.5W	

* Except 24V AC without Diode

Coil resistance vs input voltage range

Resistance [Ω]	Suitable input voltage range [V]
4	6 - 9
9	12 - 14
12	14 - 16
23	18 - 21

How to Order

G75-Z	PORT	FUNCTION	MANUAL OVERRIDE	FLOW CONTROL	VOLTAGE ⁽³⁾	WIRES
	3/4" BSPT 50	2W NC 1	None 0	with 5	without 0	two null
	3/4" NPT 51		Plastic 1	without ⁽¹⁾ 6	24V AC 1	three ⁽²⁾ a
	1" BSPT 60		Handle ⁽²⁾ 2		24V AC w/out Diode 1R	
	1" NPT 61				12V AC 3	
	1-1/2" BSPT 70				12V DC 4	
	1-1/2" NPT 71				24V DC 5	
	2" BSPT 80				23Ω 6	
	2" NPT 81				110V AC 7	
					4Ω B	
					9Ω C	
					12Ω D	

Example : G75-Z-601151

G75 electric valve, 1" BSPT, 2WNC, plastic manual override with flow control, 24V AC, two wires

G75-Z - 60 1 1 5 1

(1) 3/4", 1" valves only

(2) For latch only

(3) For Latch : Refer to coil resistance vs input voltage table

* To order valves manufactured according to your specific requirements, please contact our technical sales department.