

SOLENOID VALVES | General Purpose

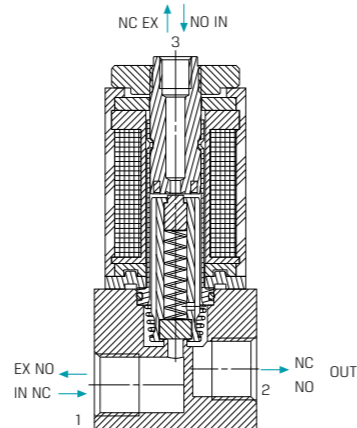
Direct Operated | 3W

G80-A | 3 Way NC, NO



Stainless Steel | 1/8"

Brass | plastic manual override



Technical Data

Function	3 Way NC, NO
Ports size	1/8" BSP, NPT, M5, #10UNF
Orifice size	See table
Pressure range	<ul style="list-style-type: none"> See table Valves for pressure higher than 12 bar cannot be supplied with manual override
Kv (l/min)	See table
Temperature range	Fluid : -10°C to 80°C (no freezing) Ambient : -10°C to 50°C
Materials in contact with media	Manual override*: Plastic * Maximum pressure : 16 bar Main Valve: Aluminium, Stainless Steel AISI 316, Brass Solenoid Operator Stainless Steel AISI 300 & 400 series, Brass Seals: NBR, FKM, EPDM
Media	Air, water, oil
Coil voltage	<ul style="list-style-type: none"> Voltage and power consumption - see table All Baccara coil voltages are ± 10% of nominal
Standard protection class	IP65 with connector

Max. Pressure (bar) 3W NC table

Coil Current/Power	Orifice (mm)		
	1.0	1.2	1.6
AC - 75W	15	12	10.5
AC - 4W	12	10	7
DC - 6.5W ⁽³⁾	15	12	10.5
DC - 3W	12	10	7
Flow factor Kv(l/min)	0.5	0.65	1

Max. Pressure (bar) 3W NO table

Coil Current/Power	Orifice(mm)	
	1.2	1.6
AC - 75W	12	8
AC - 4W	10	7
DC - 6.5W ⁽³⁾	12	8
DC - 3W	10	6
Flow factor Kv(l/min)	0.4	0.7

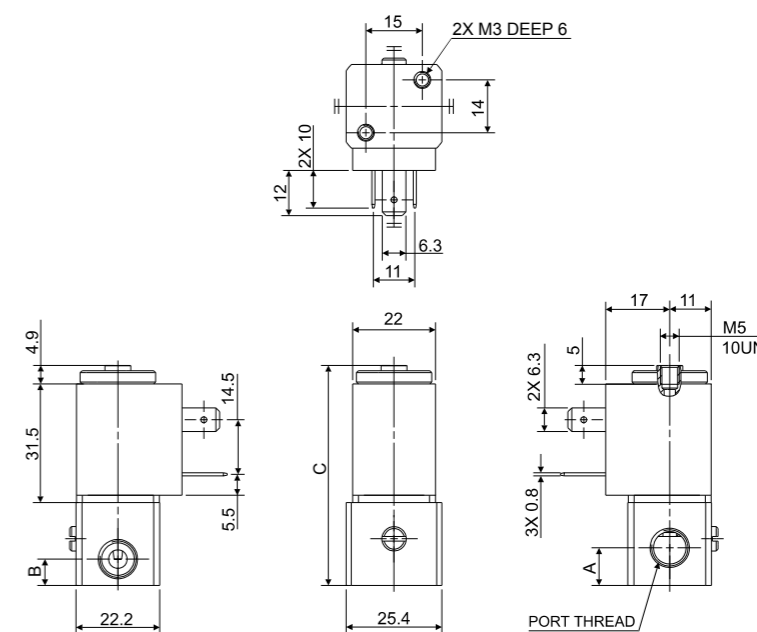
Voltage & Power Consumption

V	AC (W)				DC (W)	
	75	4	6	3	6.5	3
6					•	•
12	•	•	•	•	•	•
24	•	•	•	•	• ⁽³⁾	•
110	•	•	•	•		
230	•	•	•	•		

• Available options

Direct Operated | 3W | G80 | NC, NO

Dimensions



Port thread	A	B	C
M5/#10UNF	5.5	4	51.5
1/8"	10	7	58.5

How to Order

G80-A	BODY ⁽¹⁾	PORT	FUNCTION	ORIFICE	SEALS	MANUAL OVERRIDE	* When ordering without coil, please define what current and pressure rating is needed (DC, AC)										
							VOLTAGE	POWER	CONNECTOR								
Aluminium	1	M5	00	3W NC	3	1.0	1	NBR	N	None	0	W/out coil	0	No coil	0	without	0
Brass	2	#10UNF	01	3W NO	4	1.2	2	FKM	V	Plastic ⁽²⁾	1	6	1	AC75W 50Hz	1	with	1
Stainless Steel	3	1/8" BSP	10			1.6	3	EPDM	E			12	2	AC6W 60Hz	2	with bi-color LED	2
		1/8" NPT	11									24	3	DC6.5W ⁽³⁾	3	surge protection with LED	3
												110	5	AC4W 50Hz	4	flying leads coil	4
												230	7	AC3W 60Hz	5	other	9
												other	9	DC3W	7		
														Latch ⁽⁴⁾	L		

Example : G80-A-11032V1-331

G80 direct operated, aluminium base, 1/8" BSP, 3W NC, 1.2 orifice, FKM, plastic manual override, 24VDC 6W with connector

G80-A - 1 10 3 2 V 1 - 3 3 1

(1) For Stainless Steel tube add "s" : e.g. G80-A - Xs X X X X X X X X X X

(2) Maximum pressure : 16 bar

(3) 24VDC is 6Watt, 12VDC is 6.5Watt

(4) When ordering a latch valve, please contact our technical sales department

* 1/8" adaptor available

* To order valves manufactured according to your specific requirements, please contact our technical sales department.