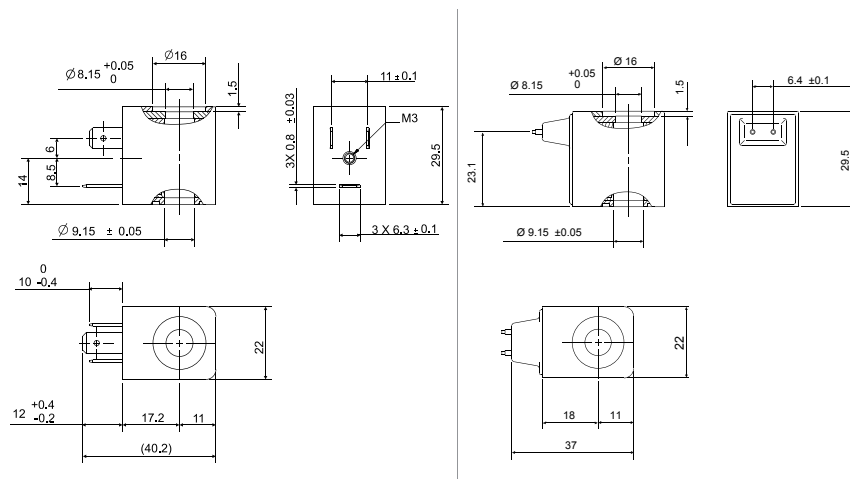


# SOLENOID VALVES | Spare Parts

## Coils

### G80-B | Coil



### Technical Data

Coil winding insulation	F 155°C
Temperature range	<b>Coil</b> : -20°C to 120°C   <b>Ambient</b> : -20°C to 50°C
Construction	in accordance with EN 60204.1
Duty cycle *	100% ED
Electrical connection	<ul style="list-style-type: none"> <li>AMP 6.3x0.8, DIN 43650, 2 poles + 1 earth</li> <li>2 flying leads, 20AWG</li> </ul>
Connector	<ul style="list-style-type: none"> <li>DIN 43650</li> <li>Fixture : M3 screws, 2 positions at 180°</li> <li>* Max. tightening torque for the connector screw : 0.5 Nm</li> </ul>
Assembly	On a valve, 4 positions at 90°
Coil fixing	On a G80 operator with M8x0.75 nut
Impregnation	Optional
Coil voltage	<ul style="list-style-type: none"> <li>Voltage and power consumption - see table</li> <li>All Baccara coil voltages are ±10% of nominal</li> </ul>
Standard protection class	IP65 with connector

- The coil should not be energized without being assembled on the operator
- \* Please consult with our technical sales department :
  - for further information on using different power coils (not shown in the table)
  - for long term operation

### How to Order

G80-B	-	VOLTAGE	POWER	CONNECTOR
6	1	AC7.5W 50Hz	1	without
12	2	AC6W 60Hz	2	with
24	3	DC6.5W <sup>(1)</sup>	3	with bi-color LED
110	5	AC4W 50Hz	4	with LED & surge protection
230	7	AC3W 60Hz	5	flying leads coil
		DC3W	7	other

(1) 24VDC is 6Watt, 12VDC is 6.5Watt

\* To order coils manufactured according to your specific requirements, please contact our technical sales department.

### Power Consumption table (AC)

Type	50 Hz	
	Inrush	Holding
7.5W	12.5VA	10.5VA
4W	7VA	5VA

### Power Consumption table (DC)

Type
6.5W <sup>(1)</sup>
3W

### Voltage & Power Consumption

V	AC (W)				DC (W)	
	50 Hz	60 Hz	60 Hz	60 Hz	6.5	3
6					•	•
12	•	•	•	•	•	•
24	•	•	•	•	• <sup>(1)</sup>	•
110	•	•	•	•		
230	•	•	•	•		

• Available options

### Example : G80-B-331

G80 Coil 24VDC 6W with connector.

