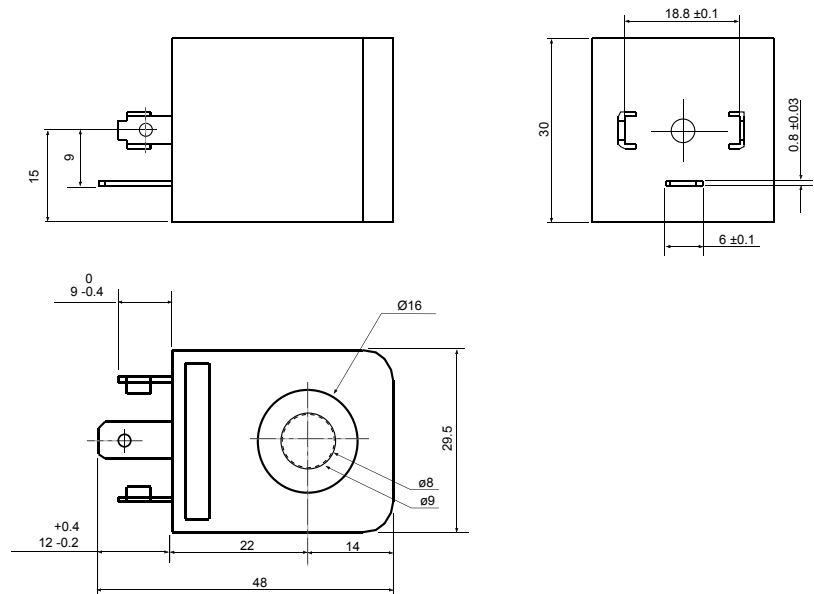


SOLENOID VALVES | Spare Parts

Coils

G80-BW | Wide coil



Technical Data

| | |
|---------------------------|--|
| Coil winding insulation | F 155°C |
| Temperature range | Coil : -20°C to 120°C Ambient : -20°C to 50°C |
| Construction | in accordance with EN 60204.1 |
| Duty cycle * | 100% ED |
| Electrical connection | AMP 6.3x0.8, DIN 46242, 2 poles + 1 earth |
| Connector | <ul style="list-style-type: none"> DIN 46242 Fixture : M3 screws, 2 positions at 180° * Max. tightening torque for the connector screw : 0.5 Nm |
| Assembly | On a valve, 4 positions at 90° |
| Coil fixing | On a G80 operator with M8x0.75 nut |
| Impregnation | Optional |
| Coil voltage | <ul style="list-style-type: none"> Voltage and power consumption - see table All Baccara coil voltages are ±10% of nominal |
| Standard protection class | IP65 with connector |

- The coil should not be energized without being assembled on the operator
- Please consult with our technical sales department :
 - for further information on using different power coils (not shown in the table)
 - for long term operation

How to Order

| G80-BW | - | VOLTAGE | POWER | CONNECTOR | |
|--------|---|-----------|-------|-----------------------------|---|
| 6 | 1 | AC5W 50Hz | 1 | without | 0 |
| 12 | 2 | AC4W 60Hz | 2 | with | 1 |
| 24 | 3 | DC4.5W | 3 | with bi- color LED | 2 |
| 110 | 5 | AC3W 50Hz | 4 | with LED & surge protection | 3 |
| 230 | 7 | AC2W 60Hz | 5 | flying leads coil | 4 |
| | | DC2.5W | 7 | other | 9 |

Example : G80-BW-331

G80 wide coil 24V DC 4.5W with connector.

G80-BW - 3 3 1

Power Consumption table (AC)

| Type | 50 Hz | |
|------|--------|---------|
| | Inrush | Holding |
| 5W | 9VA | 5VA |
| 3W | 5.5VA | 3VA |
| 2.5W | 2.5W | 2.5W |

Power Consumption table (DC)

| Type |
|------|
| 4.5W |
| 2.5W |

Voltage & Power Consumption

| V | AC (VA) | | | | DC (W) | |
|-----|---------|---|-------|---|--------|-----|
| | 50 Hz | | 60 Hz | | 4.5 | 2.5 |
| 24 | • | • | • | • | • | • |
| 110 | • | • | • | • | | |
| 230 | • | • | • | • | | |

- Available options

* To order coils manufactured according to your specific requirements, please contact our technical sales department.