

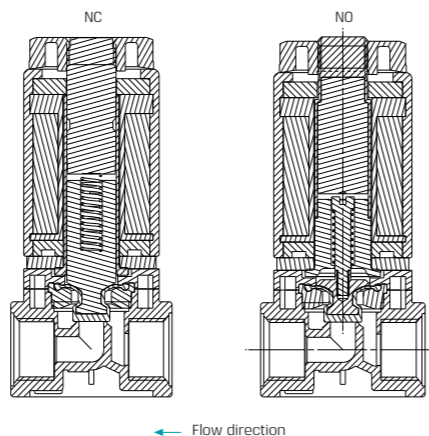
# SOLENOID VALVES | Special Purpose

## Isolated

### G80-CS | Chem-Sol 1/8" 2 Way NC, NO



2W NC | Pressure



#### Technical Data

Function	2 Way NC, NO
Ports size	1/8" BSP & NPT
Orifice size	4 mm
Pressure range	-1 to 1 bar Note : for other pressures, please contact our technical sales department
Kv (l/min)	4 l/min
Temperature range	<b>Fluid :</b> 5°C to 50°C (no freezing) <b>Ambient :</b> -10°C to 50°C
Materials in contact with media	<b>Main Valve:</b> PVC <b>Solenoid Operator:</b> Stainless Steel AISI 300 & 400 series, Brass <b>Seals:</b> FKM, EPDM
Typical applications	<ul style="list-style-type: none"> <li>• Chemical process</li> <li>• Water treatment</li> <li>• Analysis device etc</li> </ul>
Coil voltage	<ul style="list-style-type: none"> <li>• Voltage and power consumption - see table</li> <li>• All Baccara coil voltages are ± 10% of nominal</li> </ul>
Standard protection class	IP65 with plug attached

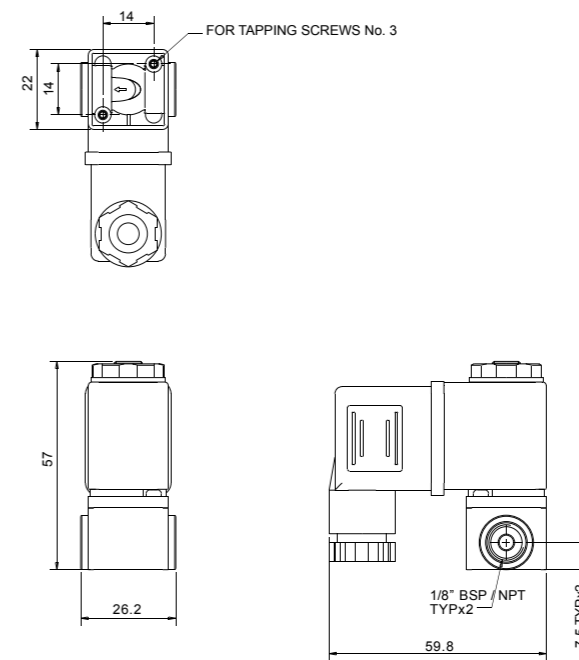
#### Voltage & Power Consumption

V	AC (W)			DC (W)	
	50 Hz	4	60 Hz	6.5	3
6				•	•
12	•	•	•	•	•
24	•	•	•	• <sup>(1)</sup>	•
110	•	•	•		
230	•	•	•		

• Available options

## Isolated | G80 | Chem-Sol 1/8" 2 Way NC, NO

#### Dimensions



#### How to Order

G80-CS	BODY	PORT	FUNCTION	PRESSURE	SEALS	VOLTAGE	POWER	CONNECTOR
Plastic	4	1/8" BSP 10	2W NC 1	Vacuum 1	FKM V	W/out coil 0	No coil 0	without 0
		1/8" NPT 11	2W NO 2	Pressure 2	EPDM E	6 1	AC75W 50Hz 1	with 1
						12 2	AC6W 60Hz 2	with bi-color LED 2
						24 3	DC6.5W <sup>(1)</sup> 3	surge protection with LED 3
						110 5	AC4W 50Hz 4	flying leads coil 4
						230 7	AC3W 60Hz 5	other 9
						other 9	DC3W 7	

\* When ordering without coil, please define what current and pressure rating is needed (DC, AC)

Example : G80-CS-41012V-321

G80 Chem-Sol, PVC body, 1/8" BSP, 2W NC, pressure, FKM, 24V AC 6W 60Hz with connector.

G80-CS - 4 10 1 2 V - 3 2 1

(1) 24VDC is 6Watt, 12VDC is 6.5Watt

\* To order valves manufactured according to your specific requirements, please contact our technical sales department.