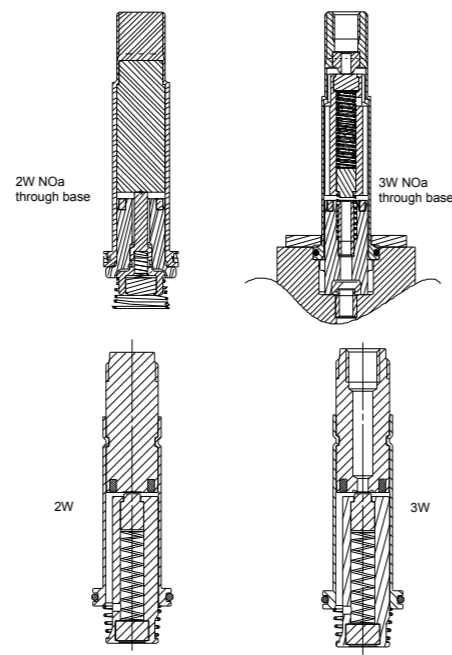
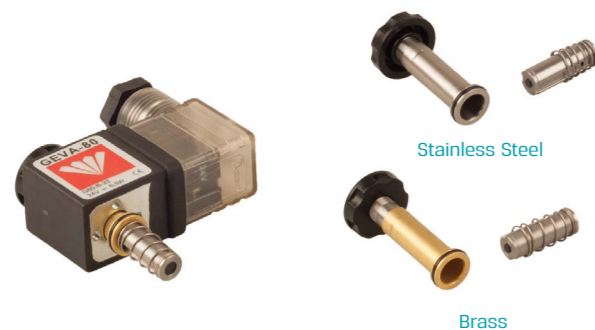


SOLENOID VALVES | Spare Parts

Operators

G80-0 | Operator 2 Way, 3 Way NC, NO

Applicable for G80-A, G80-M & G80-C valves



Technical Data

Function	2 Way, 3 Way NC, NO
Orifice size	1, 1.2, 1.6mm
Pressure range (bars)	See solenoid valve performances
Temperature range	Fluid : -10°C to 80°C (no freezing) Ambient : -10°C to 50°C
Response time	5 to 12 ms
Materials in contact with media	Operator: Brass or Stainless Steel. AISI 300 & 400 series Shading ring: Copper Note : Operator for DC is without shading ring and may not be used for AC Orifice: Stainless Steel Spring: Stainless Steel AISI 300 series
Media	Air, inert gases, water *
Threads on operator tube	M8x0.75 male and M5 or #10UNF female to connect exhaust, muffler etc.
Operator assembly	Fix the coil with one M8 nut. Max. tightening torque : 2 N/m
Coil fixing	On a G80 operator with M8x0.75 nut
Coil data	See technical G80 coil & wide coil data
Coil voltage	• Voltage and power consumption - see table • All Baccara coil voltages are ±10% of nominal

* For other fluids and for use in abnormal conditions, please contact our technical sales department

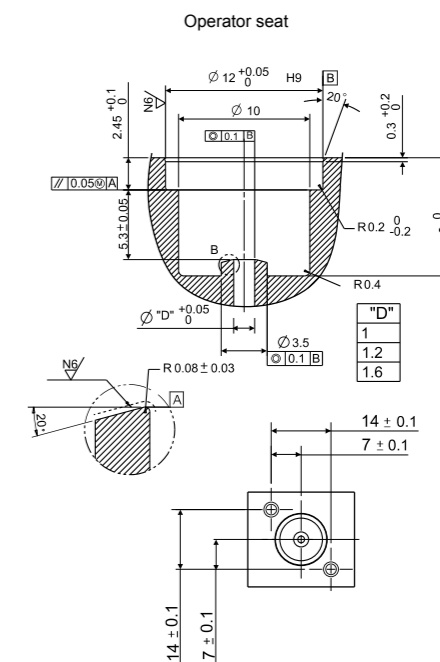
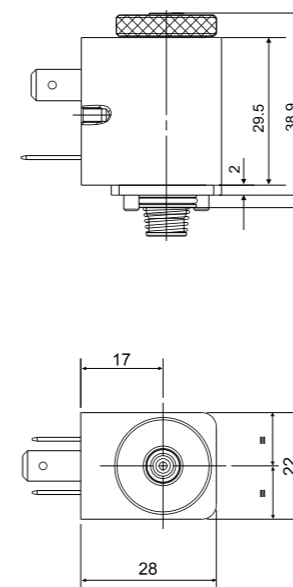
Voltage & Power Consumption

V	AC (W)			DC (W)	
	50 Hz	60 Hz	3	6.5	3
6				•	•
12	•	•	•	•	•
24	•	•	•	• ⁽⁴⁾	•
110	•	•	•		
230	•	•	•		

• Available options

Operators | G80 | 2 Way, 3 Way NC, NO

Dimensions



How to Order

2W

G80-0	2W	TUBE	FUNCTION	CURRENT
		Brass 2	2W NC 1	DC 0
		Stainless Steel 3	2WNOa ⁽²⁾ 2a	AC 1

3W

G80-0	PORT	TUBE	FUNCTION	CURRENT	ORIFICE
	M5 00	Brass 2	3W NC 3	DC 0	1 1
	#10UNF 01	Stainless Steel 3	3W NO 4	AC 1	1.2 2
	1/8"BSP ⁽¹⁾ 10		3W NOa ⁽²⁾ 4a		1.6 3

* When ordering without coil, please define what current and pressure rating is needed (DC, AC)

SEALS	VOLTAGE	POWER	CONNECTOR
NBR N	W/out coil 0	No coil 0	without 0
FKM V	6 1	AC7.5W 50Hz 1	with 1
EPDM E	12 2	AC6W 60Hz 2	with bi-color LED 2
FFKM ⁽³⁾ K	24 3	DC6.5W ⁽⁴⁾ 3	surge protection with LED 3
	110 5	AC4W 50Hz 4	flying leads coil 4
	230 7	AC3W 60Hz 5	other 9
		DC3W 7	

Example : G80-0-2W210-N-331

G80 Operator, brass tube, 2W NC, DC, NBR, 24VDC 6W with connector.

G80-0	-	2W	2	1	0	-	N	-	3	3	1
-------	---	----	---	---	---	---	---	---	---	---	---

Example : G80-0-002302-N-331

G80 Operator, M5, brass tube, 3W NC, DC, 1.2 orifice, NBR, 24VDC 6W with connector.

G80-0	-	00	2	3	0	2	-	N	-	3	3	1
-------	---	----	---	---	---	---	---	---	---	---	---	---

(1) Option available with use of an adaptor

(2) Supply pressure through base

(3) FFKM O-ring is available only upon request

When ordering FFKM seals, please consult with our technical sales department about O-ring compound

Available only in 2W NC

(4) 24VDC is 6Watt, 12VDC is 6.5Watt

* To order operators manufactured according to your specific requirements, please contact our technical sales department.