

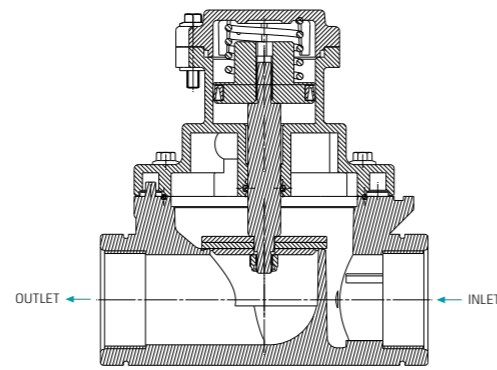
PROCESS VALVES

Globe | Plastic

GC | 3/4" - 2" 2 Way NC



2" | 2W NC

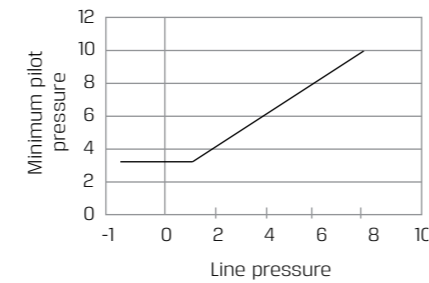


Technical Data

Function	2 Way NC
Ports size	3/4", 1", 1-1/2", 2" BSP & NPT
Pressure range	See table
Temperature range	Fluid : -5°C to 60°C (no freezing) Ambient : -10°C to 50°C
Materials in contact with media	Main Valve: Reinforced Nylon 6 Diaphragm: NBR, FPM (Viton®), EPDM, Polyurethane

Pressure (bar) & Flow table

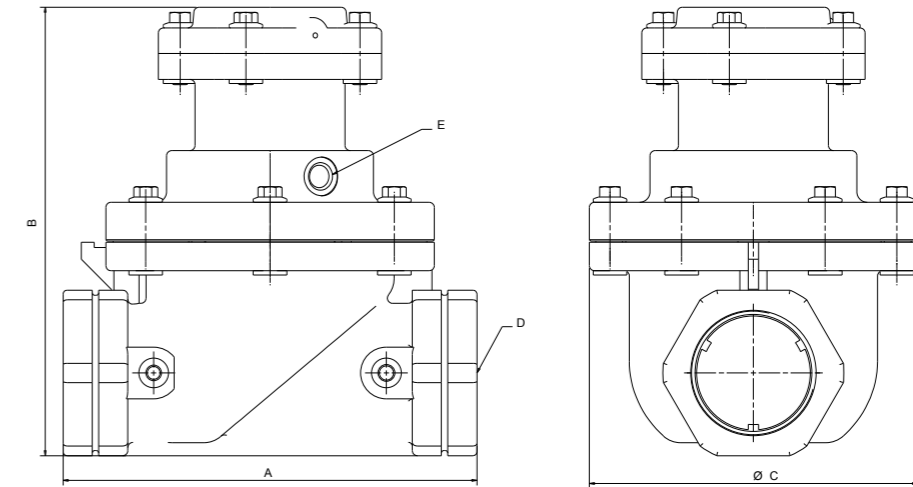
Size	Orifice (mm)	Line Pressure
3/4", 1"	27	Vacuum - 10 bar
1-1/2", 2"	55	Vacuum - 10 bar



Globe | Plastic | GC | 3/4" - 2" 2 Way NC

Dimensions

Size	A	B	C	D	E
3/4"	110	108	81	3/4"	1/8" BSP/NPT
1"	110	108	81	1"	1/8" BSP/NPT
1-1/2"	160	174	127	1-1/2"	1/8" BSP/NPT
2"	170	185	127	2"	1/8" BSP/NPT



How to Order

GC	BODY	TYPE	PORT	FUNCTION	SEALS		
	Plastic	4	Globe	1	3/4" BSP 50 3/4" NPT 51 1" BSP 60 1" NPT 61 1-1/2" BSP 70 1-1/2" NPT 71 2" BSP 80 2" NPT 81	2W NC 1	NBR N FPM (Viton®) V EPDM E Polyurethane P

Example : GC-4160-1N

GC Globe cylinder, nylon body, 1" BSP, 2W NC, NBR seals.

GC - 4 - 1 - 60 - 1 - N

* To order valves manufactured according to your specific requirements, please contact our technical sales department.