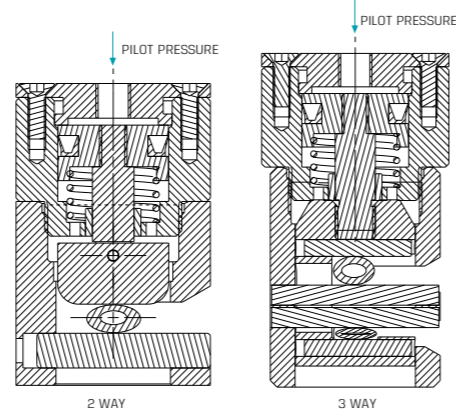


PROCESS VALVES

Pinch Valve

GC-P | Pinch valve 2 Way, 3 Way

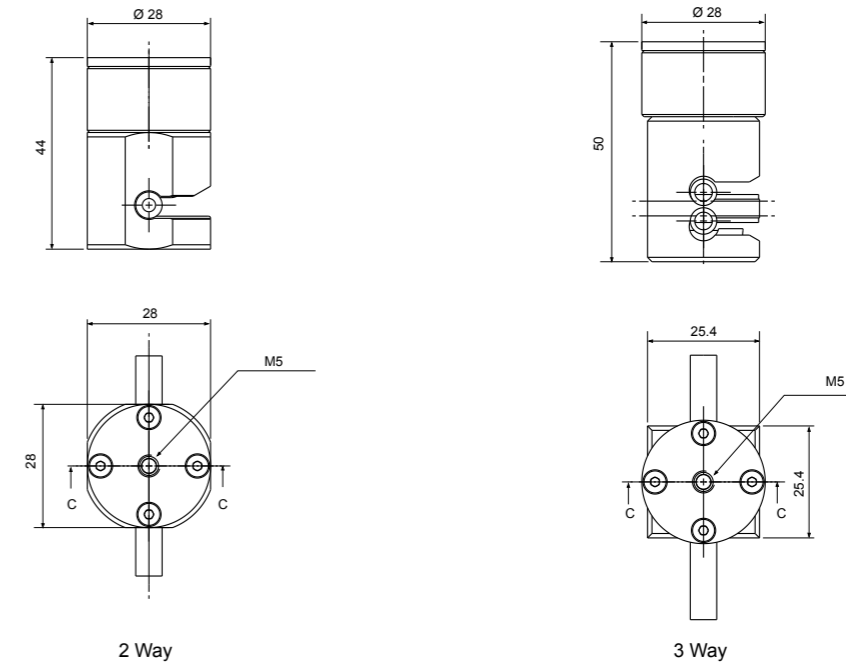


Technical Data

Function	2 Way, 3 Way
Tubes	<ul style="list-style-type: none"> • 6x4 • 8x5 for 2 Way only • 9.5x6.5 for 2 Way only
Pressure range	Fluid : according to tube specifications Pilot : 3-8 bar
Temperature range	Fluid : according to tube specifications (no freezing) Ambient : -10°C to 50°C
Materials in contact with media	Valve: Aluminium * fluid flows through silicone tube

Pinch Valve | GC | 2 Way, 3 Way

Dimensions



How to Order

GC-P	-	TUBE	FUNCTION
		Ø6X4	1 2W 1
		Ø8X5 ⁽¹⁾	2 3W 3
		Ø9.5X6.5 ⁽¹⁾	3

Example : GC-P-11
 GC pinch valve for Ø6x4 silicone tube, 2W.

GC-P - 1 1

(1) 2W only

* To order valves manufactured according to your specific requirements, please contact our technical sales department.