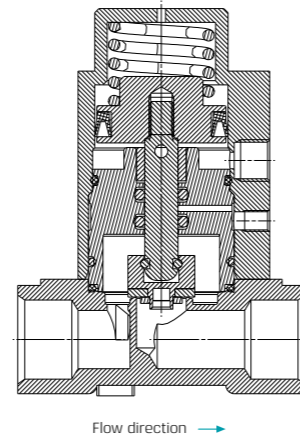


PROCESS VALVES

Globe | Metal

GC-ST | For steam 3/8" - 1" 2 Way NC, NO

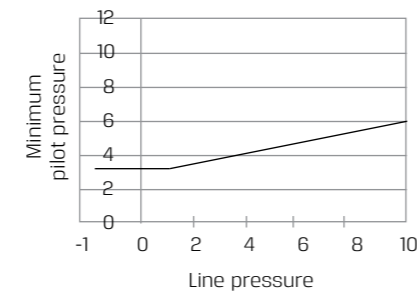


Technical Data

Function	2 Way NC, NO
Ports size	3/8", 1/2", 3/4", 1" BSP & NPT
Pressure range	See table
Temperature range	Fluid : -10° to 150°C (no freezing) Ambient : -10°C to 50°C
Materials in contact with media	Main Valve: Brass or Stainless Steel AISI 316 Diaphragm: PTFE

Pressure (bar) & Flow table

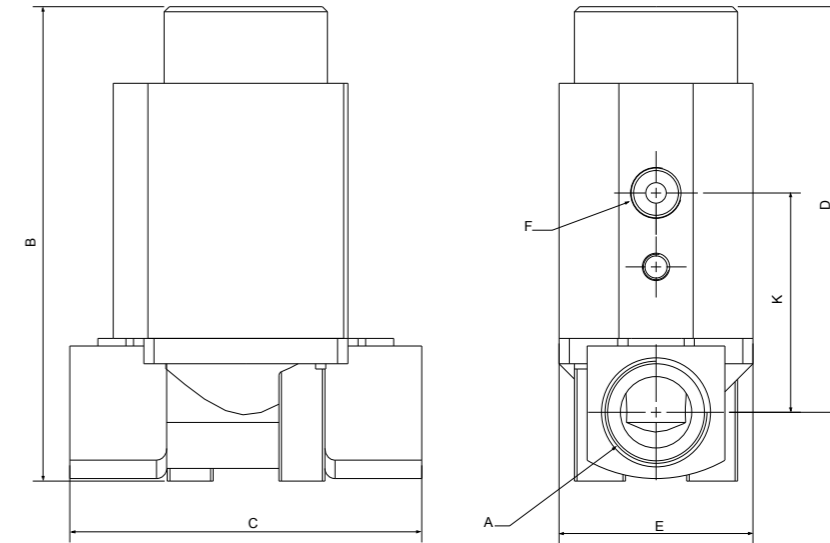
Size	Orifice (mm)	Line Pressure
3/8", 1/2"	12	Vacuum - 10 bar
3/4"	20	Vacuum - 10 bar
1"	25	Vacuum - 10 bar



Globe | Metal | GC | For steam 3/8" - 1" 2 Way NC, NO

Dimensions

Size	A	B	C	D	E	F	K
3/8", 1/2"	3/8", 1/2"	93	69	79.5	38	1/8"	43
3/4"	3/4"	98.5	90	81.5	55	1/8"	50.5
1"	1"	-	100	-	65	1/8"	-



How to Order

GC-ST	BODY	TYPE	PORT	FUNCTION	SEALS
	Brass 2	Globe 1	3/8"BSP 30	2W NC 1	PTFE T
	Stainless Steel ⁽¹⁾ 3		3/8"NPT 31	2W NO 2	
			1/2"BSP 40		
			1/2"NPT 41		
			3/4"BSP 50		
			3/4"NPT 51		
			1"BSP 60		
			1"NPT 61		

Example : GC-ST-2160-1T

GC Globe cylinder, brass body, 1"BSP, 2W NC, PTFE seals.

GC-ST - 2 - 1 - 60 - 1 - T

(1) Available only in 3/8" and 1/2"

* To order valves manufactured according to your specific requirements, please contact our technical sales department.