

SOLENOID VALVES | General Purpose

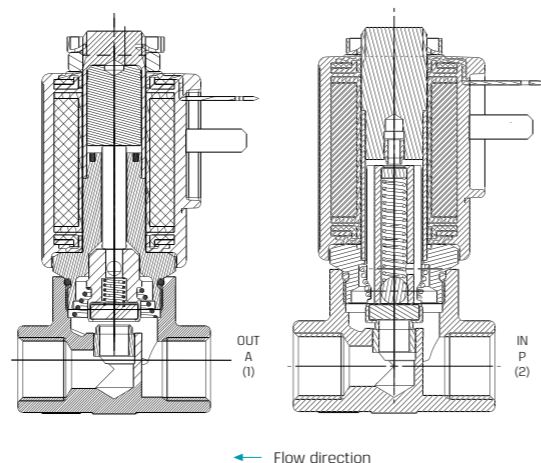
Direct Operated | 2W

GEM-A | Large orifice 1/4" 2 Way NC, NO (pressure & vacuum)



Stainless Steel

Brass



Technical Data

Function	2 Way NC, NO
Ports size	1/4" BSP & NPT
Orifice size	See table
Pressure range	See table
Kv (l/min)	See table
Temperature range	Fluid : -10°C to 80°C (no freezing) Ambient : -10°C to 50°C
Materials in contact with media	Main Valve: Brass or Stainless Steel AISI 316 Solenoid Operator: Stainless Steel AISI 300 & 400 series Seals: FKM, EPDM, FFKM, PTFE
Recommended use	Vacuum application
Media	Air, water, oil
Coil voltage	• Voltage and power consumption - see table • All Baccara coil voltages are ± 10% of nominal
Standard protection class	IP65 with connector * Option : IP68 (please refer to GEM-BP Coil)

• Latch valves are available upon request.

Max. Pressure (bar) 2W NC table

Coil Current/Power	Orifice (mm)		
	4.5	6.0	8.0
AC8W	4.5	3.8	2.5
AC5.5W	3.8	3	2
DC10W	4.5	3.8	1.5
DC5.5W	3.2	2	1
Flow factor Kv(l/min)	5	6	10

Max. Pressure (bar) 2W NO table

Coil Current/Power	Orifice (mm)	
	4.5	6.0
ADC *	4	2
AC8W, DC10W	4	2
Flow factor Kv(l/min)	5	6

* ADC valves are only suitable for use with AC8W or DC10W coils.

Voltage & Power Consumption

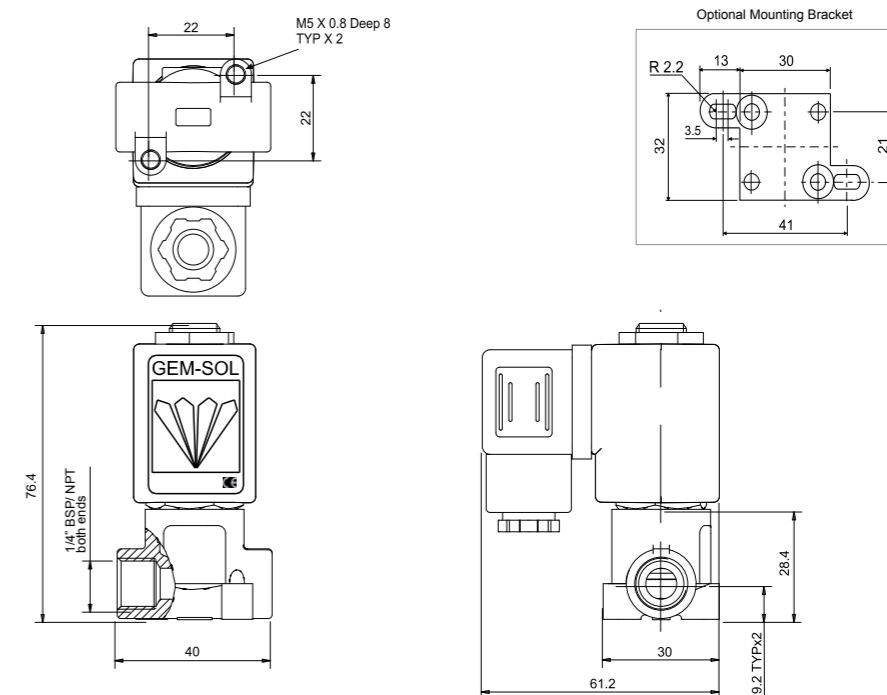
V	AC (W)						DC (W)		
	8	5.5	2.5	8	5.5	2.5	10	5.5	3.5
6							•	•	
12	•	•			•	•	•	•	
24	•	•	•		•	•	•	•	
48	•	•			•	•	•	•	
110	•	•			•	•	•	•	
120	•	•			•	•	•	•	
220	•	•	•		•	•	•	•	
230	•	•	•		•	•	•	•	
240	•	•			•	•	•	•	

Available options :

- NC valves
- NO valves

Direct Operated | 2W | GEM-SOL | Large orifice 1/4" NC, NO

Dimensions



How to Order

GEM-A	BODY	PORT	FUNCTION	ORIFICE	SEALS	VOLTAGE	POWER	CONNECTOR							
Brass	2	1/4" BSP	20	2W NC	1	6.0	8	FKM	V	W/out coil	0	No coil	0	without	0
Stainless Steel	3	1/4" NPT	21	2W NO	2	4.5	9	EPDM	E	6	1	AC8W 50Hz	1	with	1
						8.0 (1)	a	FFKM (2)	K	12	2	AC8W 60Hz	2	with LED	2
								PTFE	T	24	3	DC10W	3	with bi-color LED	3
										48	4	AC5.5W 50Hz	4	flying leads coil	4
										110	5	AC5.5W 60Hz	5	with 1/2" Hub	5
										120	6	DC5.5W	7	surge protection with LED	6
										220	7A			connector with moulded cable	7
										230	7			other	9
										240	8				
										Latch/other (3)	9				

Example : GEM-A-2201aV-311

GEM-SOL direct operated brass, 1/4" BSP, 2W NC, 8.0 orifice, FKM, 24V AC 8W 50Hz with connector.

GEM-A - 2 20 1 a V - 3 1 1

(1) Not available in NO valve

(2) FFKM O-ring is available only upon request. When ordering FFKM seals, please consult with our technical sales department about O-ring compound

(3) For specifying Latch type coil, please refer to GEM-A3P valve - How to Order table.

* Note: When ordering without coil, please define what current and pressure rating is needed (DC, AC or ADC), otherwise an ADC valve will be supplied.

* To order valves manufactured according to your specific requirements, please contact our technical sales department.