

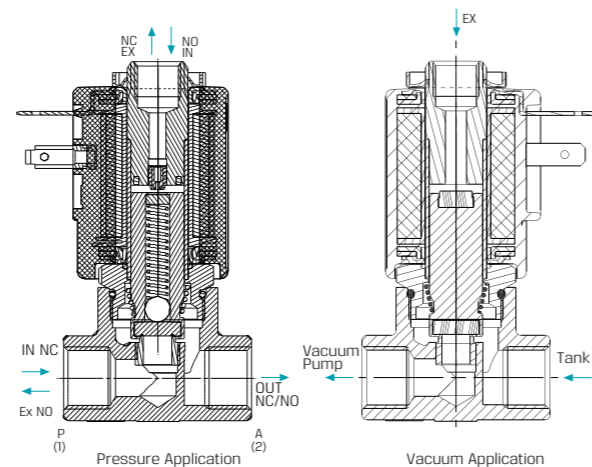
SOLENOID VALVES | General Purpose

Direct Operated | 3W

GEM-A | Large orifice 1/4" 3 Way NC, NO (pressure & vacuum)



Brass | pressure | 6mm orifice



Technical Data

Function	3 Way NC, NO
Ports size	1/4" BSP & NPT
Orifice size	Bottom orifice : 8.0mm, 6.0mm, 4.5mm Top orifice : 3mm, 4.5mm, 5mm (see table)
Kv (l/min)	See table
Temperature range	Fluid : -10°C to 80°C (no freezing) Ambient : -10°C to 50°C
Materials in contact with media	Main Valve: Brass or Stainless Steel AISI 316 Solenoid Operator: Stainless Steel AISI 300 & 400 series Seals: FKM, EPDM, FFKM
Media	Air, water
Coil voltage	• Voltage and power consumption - see table • All Baccara coil voltages are ± 10% of nominal
Standard protection class	IP65 with connector * Option : IP68 (please refer to GEM-BP Coil)

• These valves have been especially designed for electronic automatic vacuum milking systems.

Vacuum Application (bar)

Function	Orifice (mm)		
	4.5	6.0	8.0
3W NC	-1	-1	-1
3W NO	-1 to 1	-1 to 0.5	NA
Flow factor Kv(l/min)	5	6	10

Pressure Application (bar)

Function	Orifice (mm)		
	4.5	6.0	8.0
3W NC	2.8	1.6	0.5
3W NO (for 3mm top orifice)	4	1.5	NA
Flow factor Kv(l/min)	5	6	10

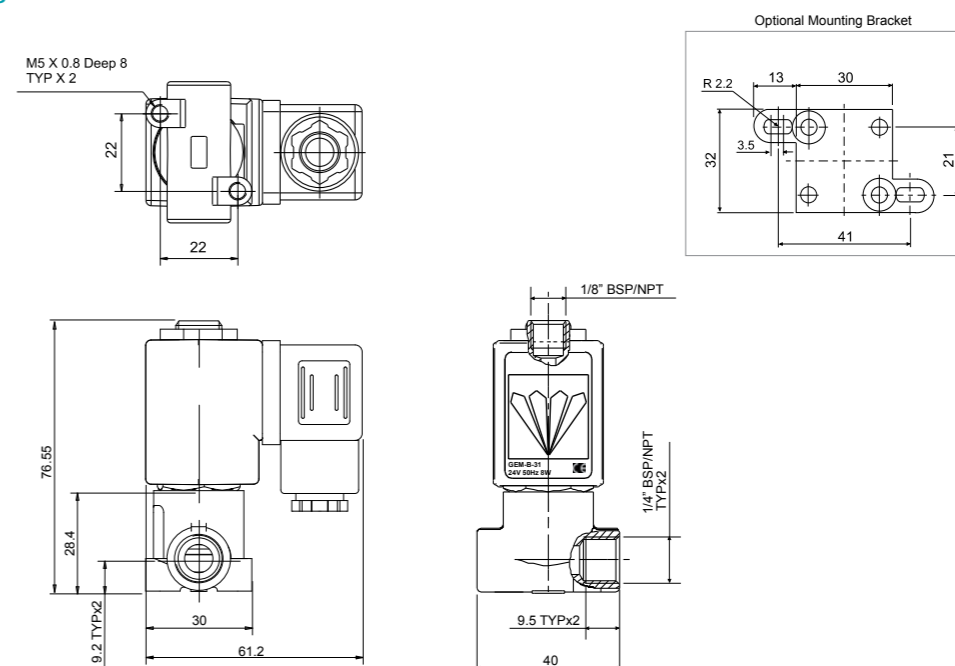
Voltage & Power Consumption

V	AC (W)						DC (W)		
	50 Hz			60 Hz			10	5.5	3.5
	8	5.5	2.5	8	5.5	2.5			
6							•		
12	•			•			•		
24	•			•			•		
48	•			•			•		
110	•			•			•		
120	•			•			•		
220	•			•			•		
230	•			•	•		•		
240	•			•			•		

• Available options

Direct Operated | 3W | GEM-SOL | Large orifice 1/4" NC, NO

Dimensions



How to Order

GEM-A	BODY	PORT	FUNCTION	PRESSURE	ORIFICE (1)	SEALS	VOLTAGE	POWER	CONNECTOR								
Brass	2	1/4" BSP	20	3W NC	3	Pressure	1	6.0	8	FKM	V	W/out coil	0	No coil	0	without	0
Stainless Steel	3	1/4" NPT	21	3W NO	4	Vacuum	2	4.5	9	EPDM	E	6	1	ACBW 50Hz	1	with	1
								8.0 (2)	a	FFKM	K	12	2	ACBW 60Hz	2	with LED	2
												24	3	DC10W	3	with bi-color LED	3
												48	4			flying leads coil	4
												110	5			with 1/2" Hub	5
												120	6			surge protection with LED	6
												220	7A			connector with moulded cable	7
												230	7			other	9
												240	8				
												Latch/other (3)	9				

Orifice Table (mm)

Current	Bottom	Top
DC	4.5	4.5
DC	6	5
DC	8	5
AC	4.5 / 6	3

Example : GEM-A-220318V-331
GEM-SOL direct operated brass, 1/4" BSP, 3W NC, pressure, 6.0 orifice, FKM seals, 24V DC 10W with connector.

GEM-A - 2 20 3 1 8 V - 3 3 1

(1) See Orifice table

(2) Not available in NO valve

(3) For specifying Latch type coil, please refer to GEM-A3P valve - How to Order table.

* Note: When ordering without coil, please define what current and pressure rating is needed (DC, AC or ADC), otherwise an ADC valve will be supplied.

* To order valves manufactured according to your specific requirements, please contact our technical sales department.