

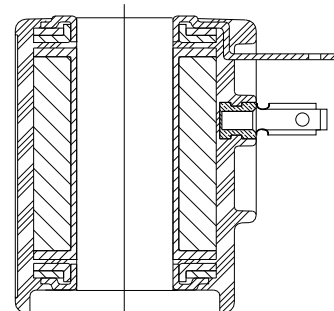
GEM-B | Coil



DIN Connector

Flying Leads

LED Connector



Technical Data

Coil winding insulation	H 180°C
Temperature range	Coil : -20°C to 150°C Ambient : -20°C to 70°C
Duty cycle *	100% ED
Electrical connection	<ul style="list-style-type: none"> • AMP pins, DIN 46242, 2 poles + 1 earth • 2 flying leads, 18 AWG (0.75mm²), 300 mm length
Connector	<ul style="list-style-type: none"> • DIN 43650 • PG9 or 1/2" NPT * Max. tightening torque for the connector screw : 0.5 Nm
Assembly	In any position
Coil fixing	One nut G1/4" hexagonal 19mm
Impregnation	Optional
Coil voltage	<ul style="list-style-type: none"> • Voltage and power consumption - see table • All Baccara coil voltages are ±10% of nominal
Standard / Certification	CE
Standard protection class	IP65 with connector * Option : IP68 (please refer to GEM-BP coil)

- The coil should not be energized without being assembled on the operator
- * Please consult with our technical sales department :
 - for further information on using different power coils (not shown in the table)
 - for long term operation

Power Consumption table (AC)

Type	Inrush	Holding
8W	26VA-13W	16VA-8W
5.5W	16VA-8W	12VA
2.5W	2.5W	2.5W

Power Consumption table (DC)

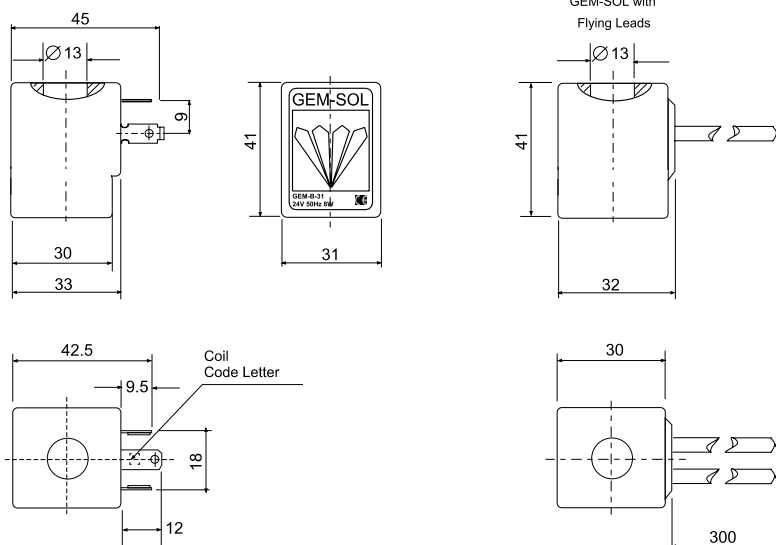
Type
10W
5.5W
2.5W

Voltage & Power Consumption

V	AC (W)						DC (W)		
	50 Hz			60 Hz			10	5.5	3.5
	8	5.5	2.5	8	5.5	2.5			
6							•	•	•
12	•			•			•	•	•
24	•	•	•	•	•	•	•		
48	•			•			•		
110	•			•	•		•		
120	•			•					
220	•	•	•	•			•		
230	•	•							
240	•			•			•		

- Available options

Dimensions



How to Order

GEM-B	-	VOLTAGE	POWER	CONNECTOR	
6	1	AC8W 50Hz	1	without	0
12	2	AC8W 60Hz	2	with	1
24	3	DC10W	3	with LED	2
48	4	AC5.5W 50Hz	4	with bi- color LED	3
110	5	AC5.5W 60Hz	5	flying leads coil	4
120	6	AC2.5W 50/60Hz	6	with 1/2" hub	5
220	7A	DC5.5W	7	surge protection with LED	6
230	7	DC3.5W	8	connector with moulded cable	7
240	8			other	9
Latch/ other ⁽¹⁾	9				

Example : GEM-B-341

GEM-SOL Coil 24V AC 5.5W 50Hz with connector.



(1) For specifying Latch type coil, please refer to GEM-A3P valve - How to Order table.

* To order coils manufactured according to your specific requirements, please contact our technical sales department.