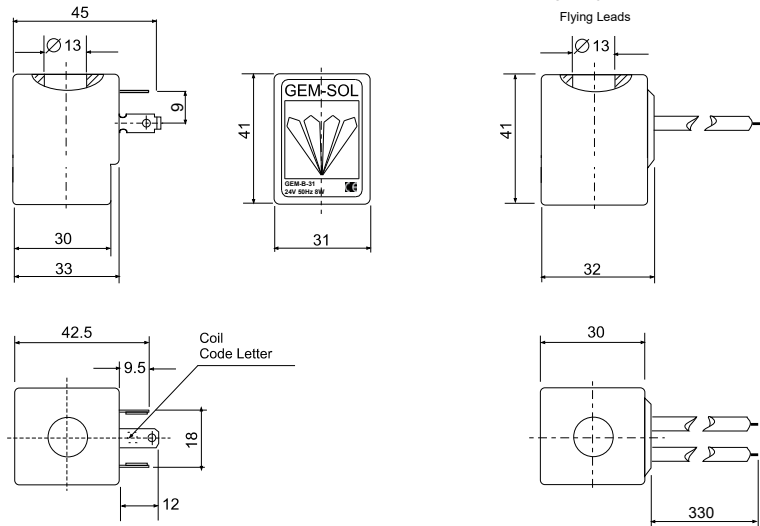


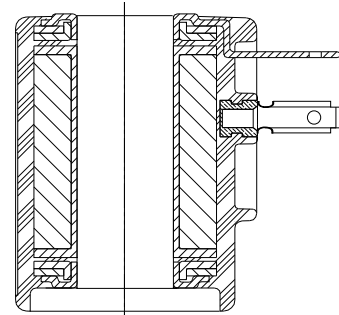
GEM-BL | Latch coil



Technical Data

Coil winding insulation	H 180°C
Temperature range	Coil : -20°C to 150°C Ambient : -20°C to 70°C
Electrical connection	<ul style="list-style-type: none"> • AMP pins, DIN 46242, 2 poles + 1 earth • 2 flying leads, 18 AWG (0.75mm²), 330 mm length • DIN 43650
Connector	<ul style="list-style-type: none"> • PG9 or 1/2" NPT * Max. tightening torque for the connector screw : 0.5 Nm
Assembly	In any position
Coil fixing	One nut G1/4" hexagonal 19mm
Typical pulse time	30~50ms
Impregnation	Optional
Standard / Certification	CE
Standard protection class	IP65 with connector * Option : IP68 (please refer to GEM-BP Coil)

- The coil should not be energized without being assembled on the operator
- * The coil, including its magnetic circuit and permanent magnets, is encapsulated in high temperature resistant nylon to withstand humidity and meet heavy duty requirements.



How to Order

GEM-BL	-	LATCH TYPE ⁽¹⁾	CONNECTOR
2Ω		LDO	without 0
5Ω		IL	with 1
13Ω		EL	flying leads coil 4
20Ω		OL	with 1/2" Hub 5
53Ω		DL	connector with moulded cable 7
			other 9

Example : GEM-BL-LD01

GEM-SOL latch coil, 2Ω latch with connector.

GEM-BL - LDO 1

(1) Choose latch type according to which latch system you have.

When ordering for a new application, please inform us of your requirements according to the table below. This will enable us to determine the most suitable coil.

VOLTAGE	OPERATING METHOD	MAX CURRENT [A] ON COIL	CAPACITOR [μF]	SWITCHING TIME [ms]
3	Direct	≤2	None	≤25
6	Capacitor	≤1	2200	≤50
9		≤0.5	4700	≤100
12		≤0.1	other	other
24		other		
230				
Other				

Example : 12V DC, Capacitor, ≤1, 4700, ≤50ms

12V Capacitor ≤1 4700 ≤50ms

* To order coils manufactured according to your specific requirements, please contact our technical sales department.