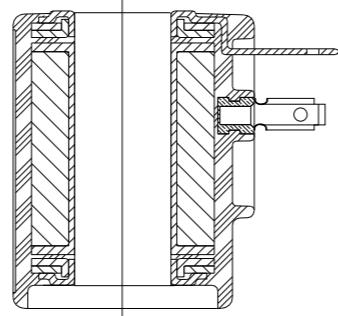


SPARE PARTS

GEM-BL | Latch coil



Technical Data

| | |
|---------------------------|--|
| Coil winding insulation | H 180°C |
| Temperature range | Coil : -20°C to 150°C Ambient : -20°C to 70°C |
| Electrical connection | <ul style="list-style-type: none"> • AMP pins, DIN 46242, 2 poles + 1 earth • 2 flying leads, 18 AWG (0.75mm²), 330 mm length |
| Connector | <ul style="list-style-type: none"> • DIN 43650 • PG9 or 1/2" NPT * Max. tightening torque for the connector screw : 0.5 Nm |
| Assembly | In any position |
| Coil fixing | One nut G1/4" hexagonal 19mm |
| Typical pulse time | 30-50ms |
| Impregnation | Optional |
| Standard / Certification | CE |
| Standard protection class | IP65 with connector * Option : IP68 (please refer to GEM-BP coil) |

- The coil should not be energized without being assembled on the operator
- The coil, including its magnetic circuit and permanent magnets, is encapsulated in high temperature resistant nylon to withstand humidity and meet heavy duty requirements.

When ordering for a new application, please inform us of your requirements according to the table below. This will enable us to determine the most suitable coil.

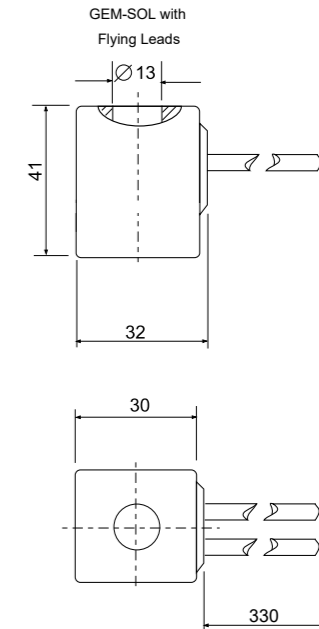
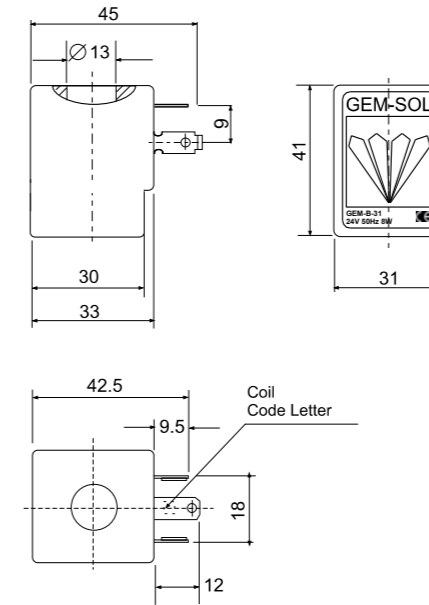
| VOLTAGE | OPERATING METHOD | MAX CURRENT [A] ON COIL | CAPACITOR [µF] | SWITCHING TIME [ms] |
|---------|------------------|-------------------------|----------------|---------------------|
| 3 | Direct | ≤2 | None | ≤25 |
| 6 | Capacitor | ≤1 | 2200 | ≤50 |
| 9 | | ≤0.5 | 4700 | ≤100 |
| 12 | | ≤0.1 | other | other |
| 24 | | other | | |
| 230 | | | | |
| Other | | | | |

Example : 12V DC, Capacitor, ≤1, 4700, ≤50ms

12V Capacitor ≤1 4700 ≤50ms

GEM-BL | Latch coil

Dimensions



How to Order

| GEM-BL | - | LATCH TYPE ⁽¹⁾ | CONNECTOR |
|--------|-----|------------------------------|-----------|
| 2Ω | LDO | without | 0 |
| 5Ω | IL | with | 1 |
| 13Ω | EL | flying leads coil | 4 |
| 20Ω | OL | with 1/2" Hub | 5 |
| 53Ω | DL | connector with moulded cable | 7 |
| | | other | 9 |

Example : GEM-BL-LD01
GEM-SOL latch coil, 2Ω latch with connector

GEM-BL - LDO 1

(1) Choose latch type according to which latch system you have

* To order coils manufactured according to your specific requirements, please contact our technical sales department