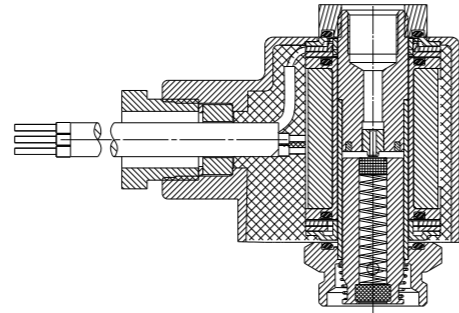


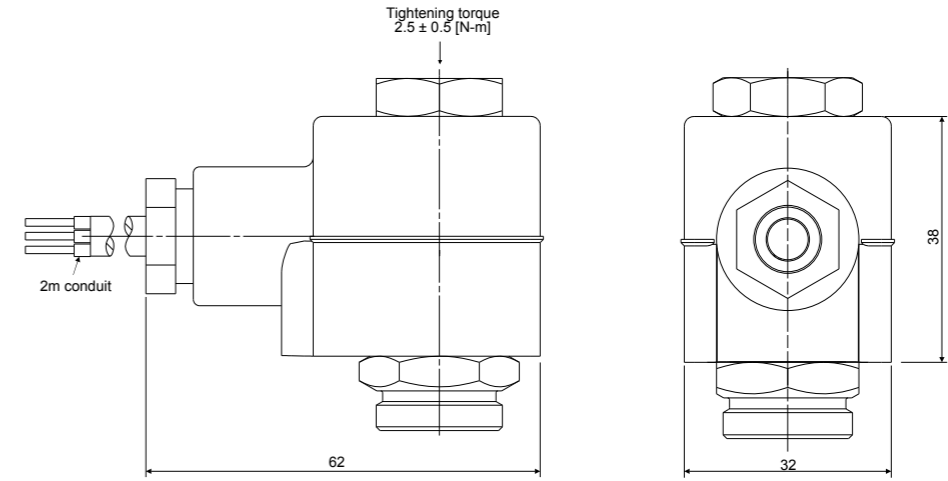
SPARE PARTS

GEM-BP | IP68 coil



GEM-BP | IP68 coil

Dimensions



Technical Data

Construction	Housing : encapsulated polyurethane
Coil winding insulation	H 180°C
Temperature range	Ambient : -5°C to 50°C (no icing)
Duty cycle	100% ED
Protection	IP68 infinite time immersion under water, up to 2m depth
Electrical connection	3x18 AWG (0.75mm ²), hook up wire, 200cm * other lengths are available
Assembly	In any position
Coil fixing	One nut G1/4" hexagonal 19mm
Standard / Certification	European Standards IEC 60529 code IP68
Coil voltage	• Voltage and power consumption - see table • All Baccara coil voltages are ±10% of nominal

• The coil should not be energized without being assembled on the operator

Power Consumption table (AC)

Type	Inrush	Holding
8W	26VA-13W	16VA-8W
5.5W	16VA-8W	12VA
2.5W	2.5W	2.5W

Power Consumption table (DC)

Type
10W
5.5W
3.5W

Voltage & Power Consumption

V	AC (W)						DC (W)		
	50 Hz			60 Hz			10	5.5	3.5
6									
12	•			•			•	•	•
24	•	•	•	•	•	•	•	•	•
48									
110									
120									
220									
230									
240									

• Available options

How to Order

GEM-BP	-	VOLTAGE	POWER
		12	2 AC8W 50Hz 1
		24	3 AC8W 60Hz 2
			DC10W 3
			AC5.5W 50Hz 4
			AC5.5W 60Hz 5
			AC2.5W 50/60Hz 6
			DC5.5W 7
			DC3.5W 8

Example : GEM-BP-31
IP68 GEM-SOL coil 24V AC 8W 50Hz.

GEM-BP	-	3	1
--------	---	---	---

* To order coils manufactured according to your specific requirements, please contact our technical sales department