

SOLENOID VALVES | Special Purpose

Isolated

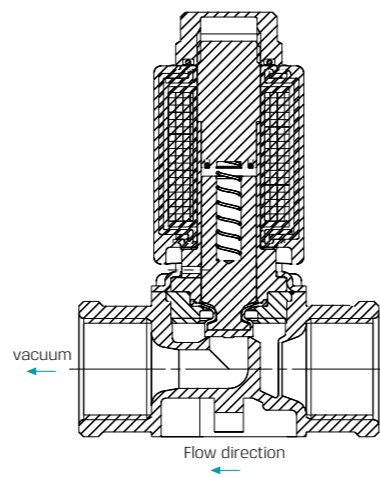
GEM-C | Chem-Sol 1/2" 2 Way NC



1/2" | Vacuum



with Manual Override



Technical Data

Function	2 Way NC
Ports size	1/2" BSP & NPT
Orifice size	8mm
Pressure range	See table
Kv (l/min)	18 l/min
Temperature range	Fluid : 5°C to 50°C (no freezing) Ambient : -10°C to 50°C
Materials in contact with media	Manual override: Plastic * Available for vacuum application only Main Valve: PVC Seals: FKM, EPDM
Applications	<ul style="list-style-type: none"> Chemical process Water treatment Analysis device etc
Coil voltage	<ul style="list-style-type: none"> Voltage and power consumption - see table All Baccara coil voltages are from -5% to ±10% of nominal
Standard protection class	IP65 with connector * Option : IP68 (please refer to GEM-BP Coil)

• Supplied with mounting threads on request, please specify.

Pressure (bar) table NC

Coil	Flow direction not restricted	Flow direction restricted
AC 8W, DC10W	0 to 0.7 bar	Min dp 0.3 bar

Vacuum (bar) table NC

Coil	Flow direction not restricted	Flow direction restricted
AC 8W	-1 to 0.5 bar	-1 to 0.5 bar
AC 5.5W	-0.5 to 0.5 bar	-0.8 to 0.5 bar
DC 10W	-0.4 to 0.5 bar	-0.6 to 0.5 bar

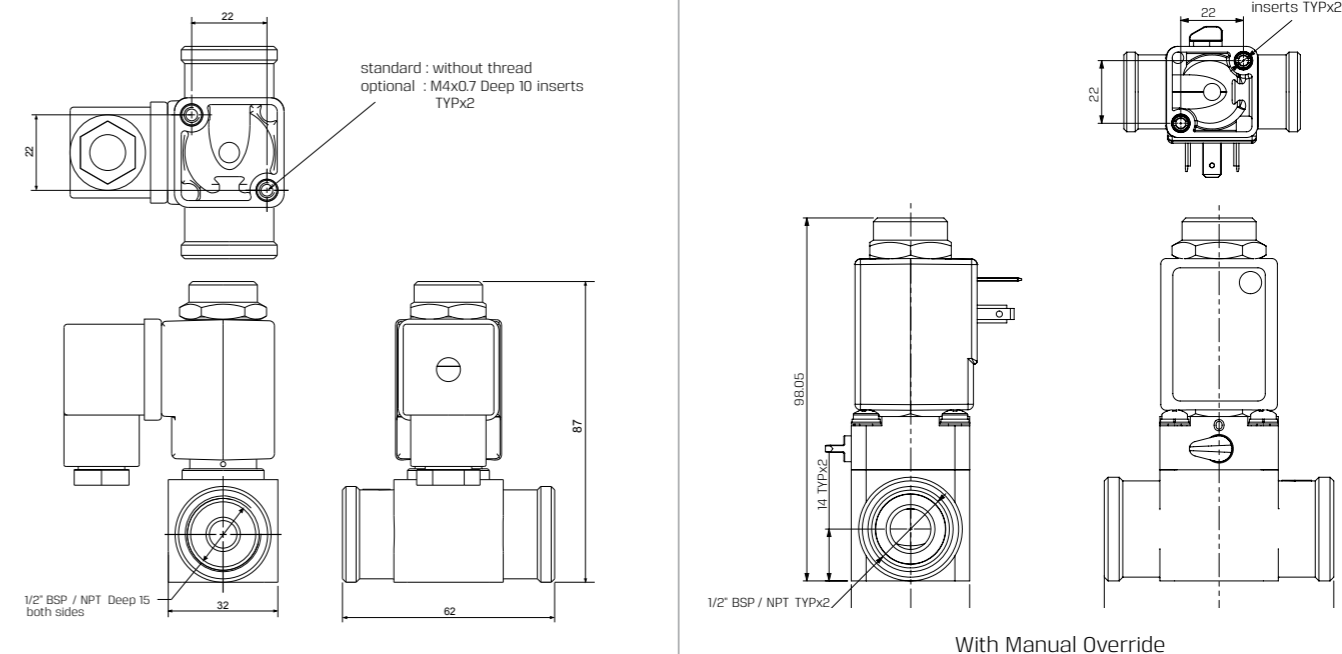
Voltage & Power Consumption

V	AC (W)						DC (W)		
	50 Hz			60 Hz			10	5.5	3.5
6							•	•	
12	•	•		•	•		•	•	
24	•	•	•	•	•	•	•	•	
48	•	•		•	•		•	•	
110	•	•		•	•	•	•	•	
120	•	•		•	•				
220	•	•	•	•	•	•	•	•	
230	•	•	•	•	•	•			
240	•	•		•	•		•	•	

- Available options :
- Vacuum
- Pressure

Isolated | GEM-SOL | Chem-Sol 1/2" 2 Way NC

Dimensions



How to Order

GEM-C	PORT	FUNCTION	PRESSURE	SEALS	MANUAL OVERRIDE	* When ordering without coil, please define what current and pressure rating is needed (DC, AC)			
						VOLTAGE	POWER	CONNECTOR	
1/2" BSP	40	2W NC 1	Vacuum 1	FKM V	None Null	W/out coil 0	No coil 0	without 0	0
1/2" NPT	41		Pressure 2	EPDM E	Plastic (1) 1	6 1	AC8W 50Hz	with 1	1
						12 2	AC8W 60Hz	with LED 2	2
						24 3	DC10W	with bi-color LED 3	3
						48 4	AC5.5W 50Hz	flying leads coil 4	4
						110 5	AC5.5W 60Hz	with 1/2" Hub 5	5
						120 6		surge protection with LED connector with moulded cable 6	6
						220 7A		connector with moulded cable 7	7
						230 7		other 9	9
						240 8			
						Latch/other (2) 9			

Example : GEM-C-4011V1-321
GEM-SOL Chem-Sol, 1/2"BSP, 2W NC for vacuum, FKM, plastic manual override, 24V AC 8W 60Hz with connector.

GEM-C - 40 1 1 V 1 3 2 1

- (1) Available for Vacuum application only
- (2) For specifying Latch type coil, please refer to GEM-A3P valve - How to Order table

* To order valves manufactured according to your specific requirements, please contact our technical sales department.