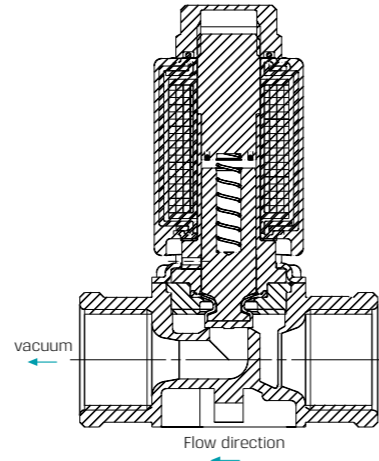


ISOLATED/FERTILIZER SOLENOIDS

GEM-C | Chem-Sol 1/2" 2 Way NC



Technical Data

Function	2 Way NC
Ports size	1/2" BSP & NPT
Orifice size	8mm
Pressure range	See table
Kv (l/min)	18 l/min
Temperature range	Fluid : 5°C to 50°C (no freezing) Ambient : -10°C to 50°C
Materials in contact with media	Manual override: Plastic * Available for vacuum application only Main Valve: PVC Seals: FKM, EPDM
Applications	<ul style="list-style-type: none"> Chemical process Water treatment Analysis device etc
Coil voltage	<ul style="list-style-type: none"> Voltage and power consumption - see table All Baccara coil voltages are from -5% to ±10% of nominal
Standard protection class	IP65 with connector * Option : IP68 (please refer to GEM-BP coil)

• Supplied with mounting threads on request, please specify

Pressure (bar) table NC

Coil	Flow direction not restricted	Flow direction restricted
AC 8W, DC10W	0 to 0.7 bar	Min dp 0.3 bar

Vacuum (bar) table NC

Coil	Flow direction not restricted	Flow direction restricted
AC 8W	-1 to 0.5 bar	-1 to 0.5 bar
AC 5.5W	-0.5 to 0.5 bar	-0.8 to 0.5 bar
DC 10W	-0.4 to 0.5 bar	-0.6 to 0.5 bar

Voltage & Power Consumption

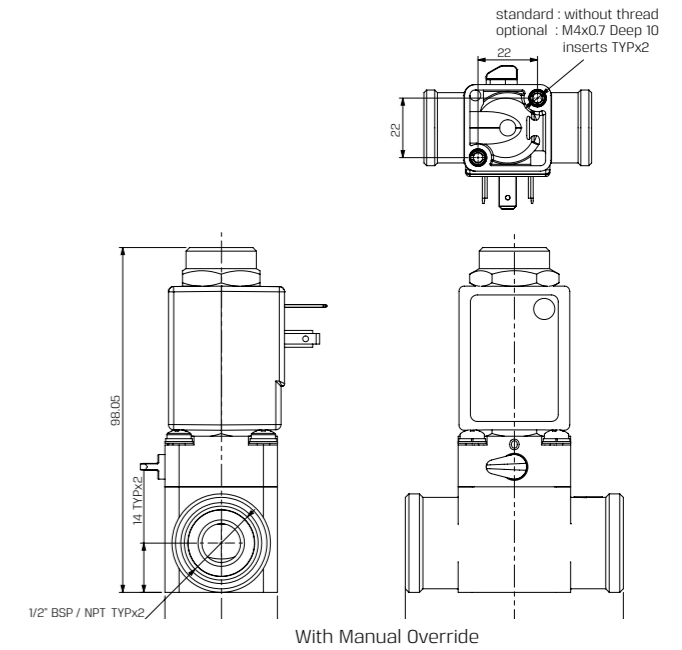
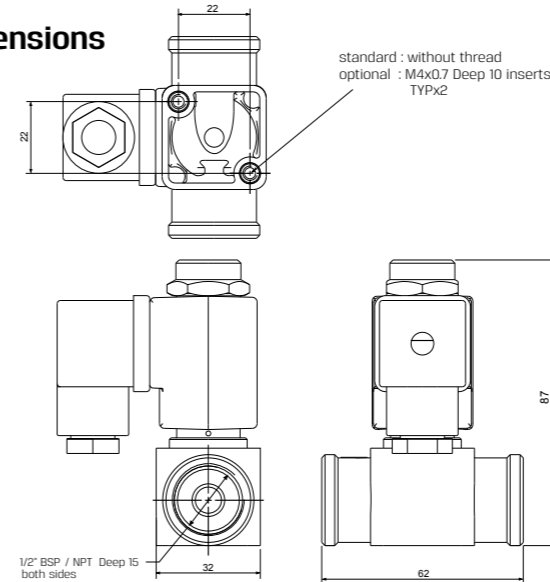
V	AC (W)						DC (W)		
	50 Hz			60 Hz			10	5.5	3.5
6							•	•	
12	•	•		•	•		•	•	
24	•	•	•	•	•	•	•	•	
48	•	•		•	•		•	•	
110	•	•		•	•	•	•	•	
120	•	•		•	•		•	•	
220	•	•	•	•	•	•	•	•	
230	•	•	•	•	•	•	•	•	
240	•	•		•	•		•	•	

Available options :

- Vacuum
- Pressure

GEM-C | Chem-Sol 1/2", 2 Way NC

Dimensions



How to Order

GEM-C	PORT	FUNCTION	PRESSURE	SEALS	MANUAL OVERRIDE	* When ordering without coil, please define what current and pressure rating is needed (DC, AC)									
						VOLTAGE	POWER	CONNECTOR							
1/2" BSP	40	2W NC	1	Vacuum	1	FKM	V	None	Null	W/out coil	0	No coil	0	without	0
1/2" NPT	41			Pressure	2	EPDM	E	Plastic (1)	1	6	1	AC8W 50Hz	1	with	1
										12	2	AC8W 60Hz	2	with LED	2
										24	3	DC10W	3	with bi-color LED	3
										48	4	AC5.5W 50Hz	4	flying leads coil	4
										110	5	AC5.5W 60Hz	5	with 1/2" Hub	5
										120	6			surge protection with LED	6
										220	7A			connector with moulded cable	7
										230	7			other	9
										240	8				
										Latch/other (2)	9				

Example : GEM-C-4011V1-321
GEM-SOL Chem-Sol, 1/2"BSP, 2W NC for vacuum, FKM, plastic manual override, 24V AC 8W 60Hz with connector

GEM-C	-	40	1	1	V	1	-	3	2	1
-------	---	----	---	---	---	---	---	---	---	---

(1) Available for Vacuum application only

(2) For specifying Latch type coil, please refer to GEM-A3P valve - How to Order table

* To order valves manufactured according to your specific requirements, please contact our technical sales department