

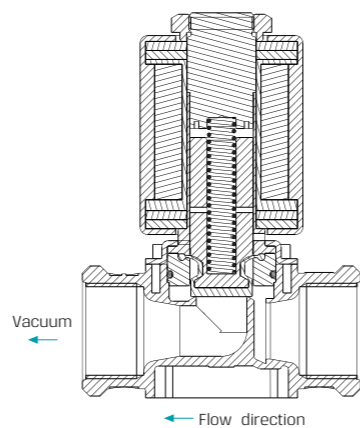
SOLENOID VALVES | Special Purpose

Isolated

GEM-C | Chem-Sol 3/4" 2 Way NC



3/4" | Vacuum



Technical Data

Function	2 Way NC
Ports size	3/4" BSP & NPT
Orifice size	14mm
Pressure range	See table
Kv (l/min)	40 l/min
Temperature range	Fluid : 5°C to 50°C (no freezing) Ambient : -10°C to 50°C
Materials in contact with media	Main Valve: PVC Seals: FPM (Viton®), EPDM
Applications	<ul style="list-style-type: none"> • Chemical process • Water treatment • Analysis device etc
Coil voltage	<ul style="list-style-type: none"> • Voltage and power consumption - see table • All Baccara coil voltages are from -5% to ±10% of nominal • AC - inrush 65VA at 50 Hz holding 32VA (18W) at 50 Hz • DC - 38W
Standard protection class	IP65 with connector * Option : IP68 (please refer to GEM-BP Coil)

Pressure (bar) table NC

Coil *	Flow direction not restricted	Flow direction restricted
AC / DC	0 to 3 bar	Min dp 1 bar

* Coil : Suitable for all available wattage, see How to Order table

Vacuum (bar) table NC

Coil *	Flow direction not restricted	Flow direction restricted
AC / DC	-1 to 0.5 bar	-1 to 0.5 bar

* Coil : Suitable for all available wattage, see How to Order table

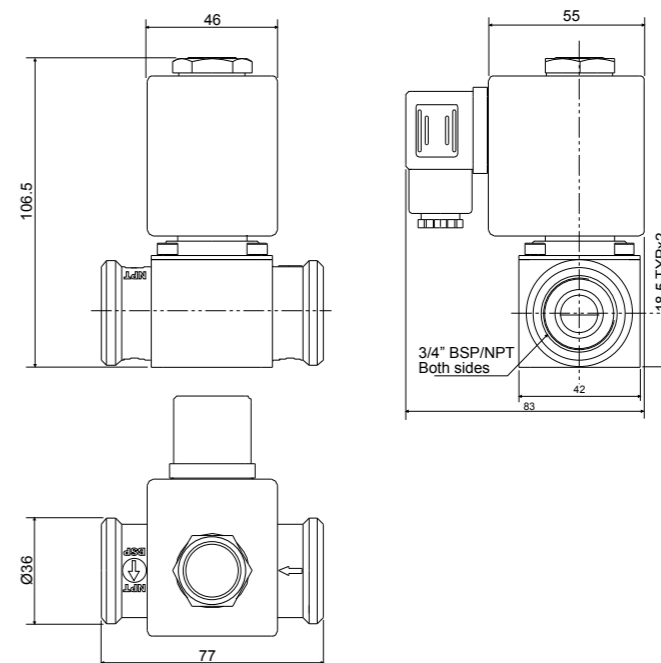
Voltage & Power Consumption

	AC (W)		DC (W)
	50 Hz	60 Hz	
V	38	18	38
12			•
24	•	•	•
110		•	
120			•
230	•		•

• Available options

Isolated | GEM-SOL | Chem-Sol 3/4" 2 Way NC

Dimensions



How to Order

GEM-C	PORT	FUNCTION	PRESSURE	SEALS	* When ordering without coil, please define what current and pressure rating is needed (DC, AC)						
					VOLTAGE	POWER	CONNECTOR				
	3/4" BSP	50	2W NC 1	Vacuum 1	FPM (Viton®) V	W/out coil	0	No coil	0	without	0
	3/4" NPT	51		Pressure 2	EPDM E	12	2	AC38W 50Hz	E	with	1
						24	3	AC38W 60Hz	F	with LED	2
						110	5	AC18W 50Hz	G	with bi-color LED	3
						120	6	DC38W	J	with 1/2" Hub	5
						230	7			surge protection with LED connector with moulded cable	6
						Latch/other ⁽¹⁾	9			connector with moulded cable	7
										other	9

Example : GEM-C-5011V-3G1

GEM-SOL Chem-Sol, 3/4"BSP, 2W NC for vacuum, FPM (Viton®), 24V AC 18W 50Hz with connector.

GEM-C - 50 1 1 V - 3 G 1

(1) For specifying Latch type coil, please refer to GEM-A3P valve - How to Order table.

* To order valves manufactured according to your specific requirements, please contact our technical sales department.