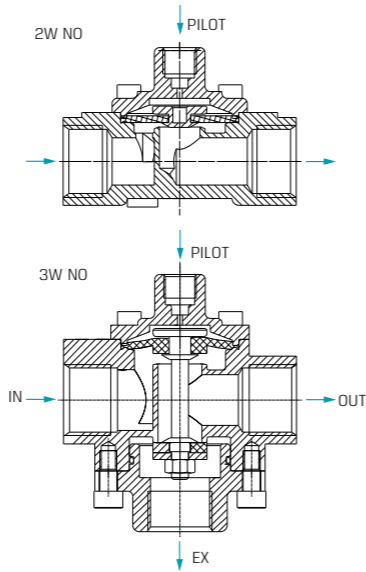
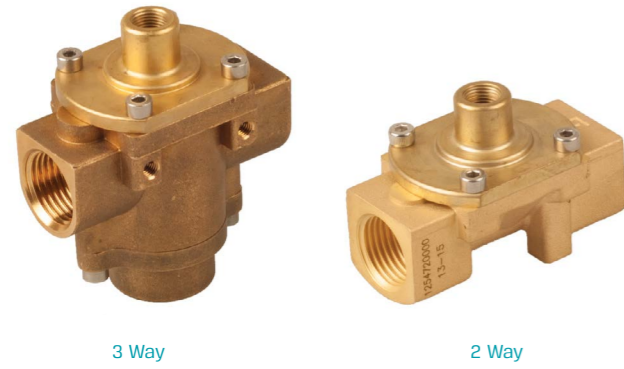


PROCESS VALVES

Diaphragm | Metal

GEM-E | External pilot operated 1/4" - 1/2" 2 Way, 3 Way NO



Technical Data

Function	2 Way, 3 Way NO
Ports size	1/4", 3/8", 1/2" BSP & NPT
Pressure range	See table
Kv (l/min)	See table
Temperature range	Fluid : -10°C to 80°C (no freezing) Ambient : -10°C to 50°C
Materials in contact with media	Main Valve: Brass, Stainless Steel AISI 316 Seals: NBR
Media	Air, gas, water, fuel, oil etc

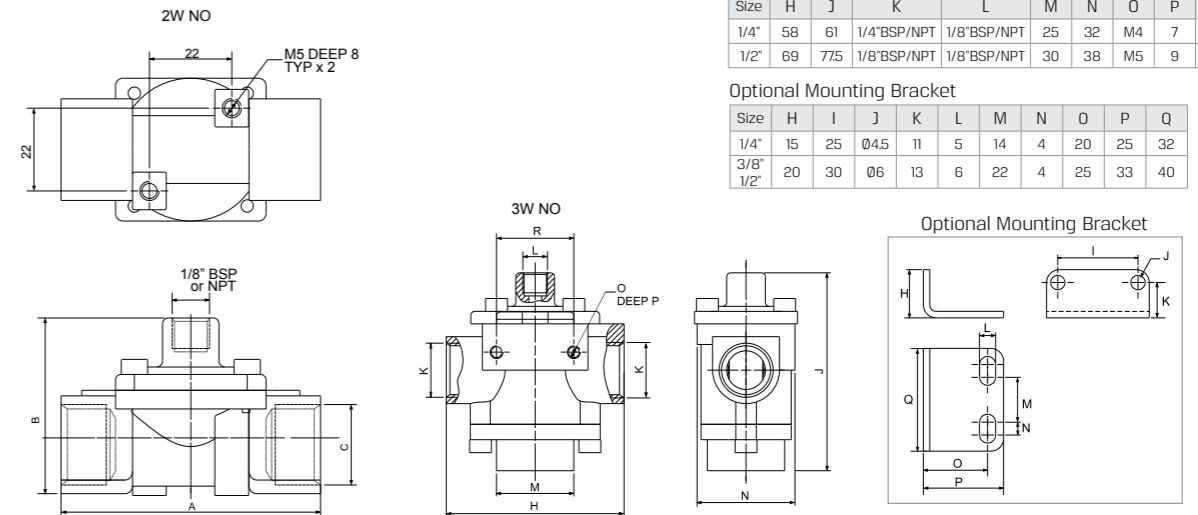
Pressure (bar) & Flow table

Size	Orifice (mm)	Pressure (bar)	Kv(l/Min)
1/4"	8	0.5 to 10	12
3/8"	8		16
1/2"	12		35

* Pilot pressure should be at least 1 bar higher than process fluid

Diaphragm | Metal | GEM-SOL | External pilot operated 1/4"-1/2" 2, 3 Way NO

Dimensions



Size	A	B	C
1/4"	58	36	1/4", 3/8" BSP/NPT
1/2"	69	47.5	1/2" BSP/NPT

Size	H	J	K	L	M	N	O	P	R
1/4"	58	61	1/4" BSP/NPT	1/8" BSP/NPT	25	32	M4	7	25
1/2"	69	77.5	1/8" BSP/NPT	1/8" BSP/NPT	30	38	M5	9	30

Size	H	I	J	K	L	M	N	O	P	Q
1/4"	15	25	Ø4.5	11	5	14	4	20	25	32
3/8"	20	30	Ø6	13	6	22	4	25	33	40

How to Order

GEM-E	-	BODY ⁽¹⁾	PORT	FUNCTION	SEALS	-	BRACKET ⁽⁴⁾		
Brass	2	1/4" BSP	20	2W NO	2	NBR	N	without	0
Stainless Steel ⁽²⁾	3	1/4" NPT	21	3W NO	4			with	1
		3/8" BSP ⁽³⁾	30						
		3/8" NPT ⁽³⁾	31						
		1/2" BSP	40						
		1/2" NPT	41						

Example : GEM-E-2202N-0

GEM-SOL external pilot operated, brass, 1/4" BSP, 2W NO, NBR, without mounting bracket.

GEM-E - 2 20 2 N - 0

- (1) 3W NO - Brass only
- (2) Stainless Steel valves - only available in 2 Way
- (3) 3/8" - unavailable for 3 Way NO
- (4) Mounting bracket available only for 3 Way NO

* To order valves manufactured according to your specific requirements, please contact our technical sales department.