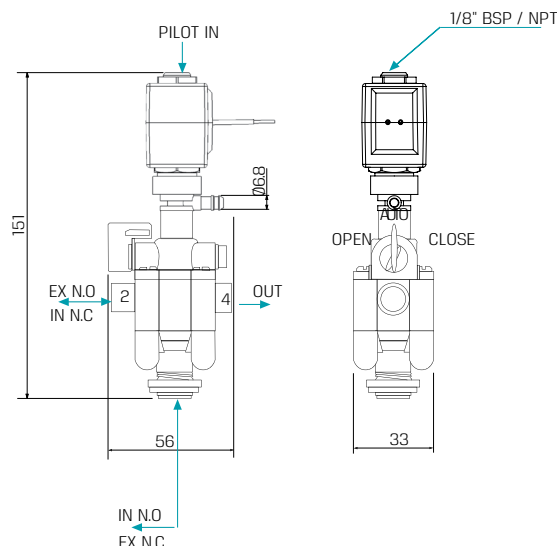


SOLENOID VALVES | Special Purpose

Plastic | GEM-SOL

GEM-GALIT | 3 Way pilot operated NC, NO



Technical Data

Function	3 Way NC, NO
Ports size	1/8" BSP & NPT
Orifice size	5mm
Pressure range	1 to 10 bar
Temperature range	Fluid : 5°C to 50°C (no freezing) Ambient : -10°C to 50°C
Materials in contact with media	Main Valve: Reinforced Nylon Solenoid Operator: Stainless Steel AISI 300 & 400 series Seals: NBR Spring: Stainless Steel AISI 300 series
Manual override	Manual override with 3 positions : • AUTO - for automatic operation (valve is open when solenoid is energized) • MANUAL - valve is kept open • CLOSE - valve is kept closed
Solenoid	Assembled with 3W NO GEM-OG operator, 1,6
Coil voltage	• Voltage and power consumption - see table • All Baccara coil voltages are ± 10% of nominal
Standard protection class	IP66

Voltage & Power Consumption

V	AC (W)						DC (W)		
	50 Hz			60 Hz			10	5.5	3.5
6							•	•	•
12	•			•			•		•
24	•	•	•	•	•	•	•		•
48	•			•			•		
110	•			•	•		•		
120	•			•					
220	•	•	•	•			•		
230	•	•		•	•				
240	•			•			•		

• Available options

How to Order

GEM-GALIT	PORT	VOLTAGE	POWER	CONNECTOR	MOUNTING BRACKET		
	1/8" BSP 10	w/out coil	0	No coil	0	w/out	0
	1/8" NPT 11	6	1	AC8W 50Hz	1	with	1
		12	2	AC8W 60Hz	2	with LED	2
		24	3	DC10W	3	with bi-color LED	3
		48	4	AC5.5W 50Hz	4	flying leads coil	4
		110	5	AC5.5W 60Hz	5	with 1/2" Hub	5
		120	6	AC2.5W 50/60Hz	6	surge protection with LED	6
		220	7A	DC5.5W	7	connector with moulded cable	7
		230	7	DC3.5W	8	other	9
		240	8				
		Latch/other ⁽¹⁾	9				

Example : GEM-GALIT-10-3110

GEM-GALIT pilot operated, 1/8" BSP, 24V AC8W 50Hz, with connector, without mounting bracket.

GEM-GALIT - 10 - 3 - 1 - 1 - 0

(1) For specifying Latch type coil, please refer to GEM-A3P valve - How to Order table

(2) For Latch only

* To order valves manufactured according to your specific requirements, please contact our technical sales department.