

SOLENOID VALVES | Special Purpose

Sub-base

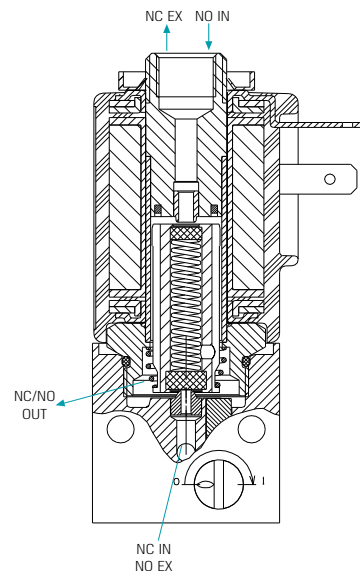


* Available on selected models only

GEM-H | Type HF (CNOMO) 3 Way NC, NO



Mazak |
90° turn brass manual override



Technical Data

Function	3 Way NC, NO
Ports size	Ø 2.7mm holes
Orifice size	See table
Pressure range	See table • Higher pressures are available
Kv (l/min)	See table
Temperature range	Fluid : -10°C to 80°C (no freezing) Ambient : -10°C to 50°C
Materials in contact with media	Manual override: Brass Main Valve: Mazak Solenoid Operator: Stainless Steel AISI 300 & 400 series Seals: NBR, FPM (Viton®), EPDM
Media	Air, water, oil
Coil voltage	• Voltage and power consumption - see table • All Baccara coil voltages are ± 10% of nominal
Standard / Certification	• UL 429 * Available on selected models only. Please contact our technical sales department for details.
Standard protection class	IP65 with connector * Option : IP68 (please refer to GEM-BP Coil)

Max. Pressure (bar) 3W NC table

Coil Current/Power	Orifice (mm)					
	0.8	1.2	1.6	2.0	2.4	3.0
ADC *	23	20	15	10	8	5.5
AC8W, DC10W	35	30	17	14	10	6
AC5.5W	23	20	15	10	8	5.5
AC2.5W, DC5.5W, DC3.5W	20	16	10	9	5	4
Flow factor Kv(l/min)	0.6	1.1	1.7	2.5	3.5	4.5

Max. Pressure (bar) 3W NO table

Coil Current/Power	Orifice (mm)					
	0.8	1.2	1.6	2.0	2.4	3.0
ADC *	25	20	15	11	8	6
AC8W, DC10W	30	22	17	12	10	7
AC5.5W, DC5.5W	25	20	15	11	8	6
AC2.5W, DC3.5W	20	18	12	8	6	4
Flow factor Kv(l/min)	0.6	1.1	1.4	2.2	3.0	3.5

* ADC valves are only suitable for use with AC8W or DC10W coils.

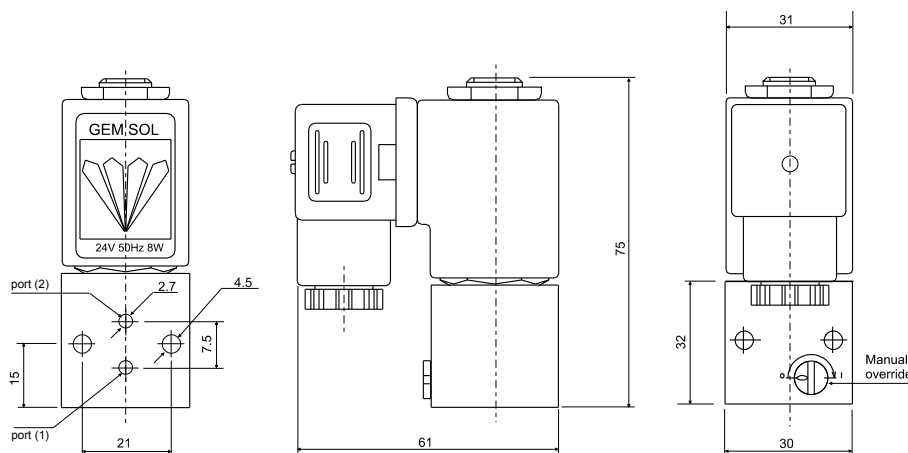
Voltage & Power Consumption: NC & NO valves

V	AC (W)						DC (W)		
	50 Hz			60 Hz			10	5.5	3.5
6							•	•	•
12	•			•			•	•	•
24	•	•	•	•	•	•	•		
48	•			•			•		
110	•			•	•		•		
120	•			•					
220	•	•	•	•			•		
230	•	•							
240	•			•			•		

• Available options

Sub-base | GEM-SOL | Type HF (CNOMO) 3 Way NC, NO

Dimensions



How to Order

GEM-H	-	BODY	FUNCTION	ORIFICE	SEALS	MANUAL OVERRIDE	-	VOLTAGE	POWER	CONNECTOR							
		Mazak	1	3W NC	3	0.8	1	NBR	N	None	0	W/out coil	0	No coil	0	without	0
				3W NO	4	1.2	2	FPM (Viton®)	V	90°turn	1	6	1	AC8W 50Hz	1	with	1
						1.6	3	EPDM	E	Push-in	2	12	2	AC8W 60Hz	2	with LED	2
						2.0	4					24	3	DC10W	3	with bi-color LED	3
						2.4	5					48	4	AC5.5W 50Hz	4	flying leads coil	4
						3.0	6					110	5	AC5.5W 60Hz	5	with 1/2" Hub	5
												120	6	AC2.5W 50/60Hz	6	surge protection with LED	6
												220	7A	DC5.5W	7	connector with moulded cable	7
												230	7	DC3.5W	8	other	9
												240	8				
												Latch/ other ⁽¹⁾	9				

Example : GEM-H-135N1-311

GEM-SOL direct operated HF, Mazak, 3W NC, 2.4 orifice, NBR, 90° turn manual override, 24V AC8W 50Hz with connector.

GEM-H - 1 3 5 N 1 - 3 1 1

(1) For specifying Latch type coil, please refer to GEM-A3P valve - How to Order table.

* Note: When ordering without coil, please define what current and pressure rating is needed (DC, AC or ADC), otherwise an ADC valve will be supplied.

* To order valves manufactured according to your specific requirements, please contact our technical sales department.