

SOLENOID VALVES | General Purpose

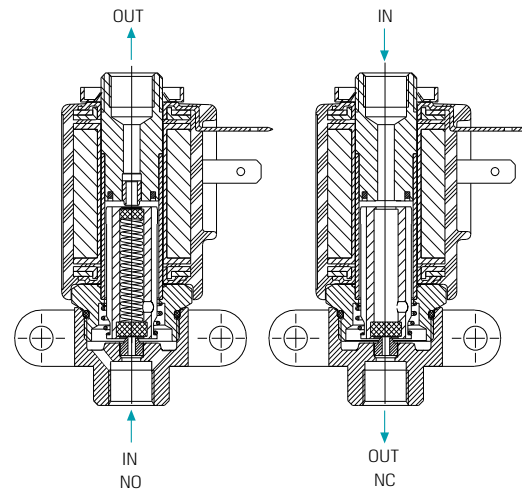
Direct Operated | 2W

GEM-I | Inline 1/8", 1/4" 2 Way NC, NO



Inline

Hex. Brass



Technical Data

Function	2 Way NC, NO
Ports size	1/8", 1/4" BSP & NPT
Orifice size	See table
Pressure range	See table • Higher pressures are available
Kv (l/min)	See table
Temperature range	Fluid : -10°C to 80°C (no freezing) Ambient : -10°C to 50°C
Materials in contact with media	Main Valve: Brass Solenoid Operator: Stainless Steel AISI 300 & 400 series Seals: NBR, FKM, EPDM
Media	Air, water, oil
Coil voltage	• Voltage and power consumption - see table • All Baccara coil voltages are ± 10% of nominal
Standard protection class	IP65 with connector * Option : IP68 (please refer to GEM-BP Coil)

• Latch valves are available upon request.

Max. Pressure (bar) 2W NC table

Coil Current/Power	Orifice (mm)					
	0.8	1.6	2.4	3.0	4.0	6.0
ADC *	40	30	17	10	5	1.1
AC8W, DC10W	45	37	20	12	6	1.8
AC5.5W	40	32	16	8	2	0.5
DC5.5W	35	30	12	6	2	0.5
Flow factor Kv(l/min)	0.5	1.7	3.5	4.5	5	6

Max. Pressure (bar) 2W NO table

Coil Current/Power	Orifice (mm)			
	0.8	1.6	2.4	3.0
ADC *	32	27	13	9
AC8W, DC10W	35	32	18	12
Flow factor Kv(l/min)	0.5	1.6	3.2	3.8

* ADC valves are only suitable for use with AC8W or DC10W coils.

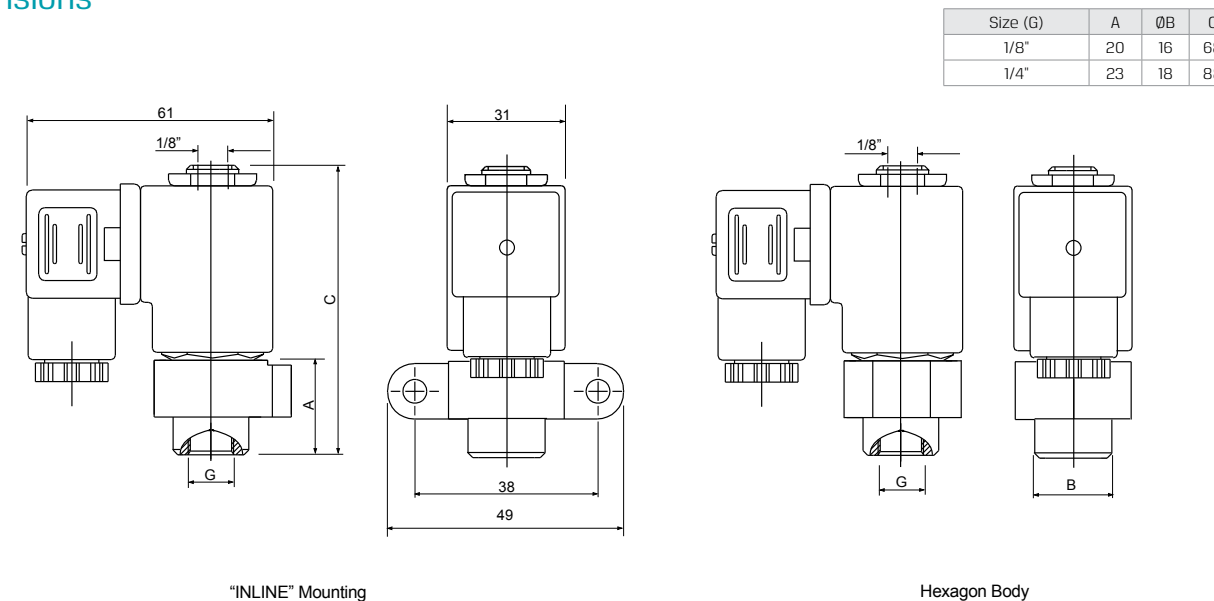
Voltage & Power Consumption

V	AC (W)						DC (W)		
	50 Hz			60 Hz			10	5.5	3.5
	8	5.5	2.5	8	5.5	2.5			
6							•	•	•
12	•			•			•	•	•
24	•	•		•	•		•	•	
48	•			•			•		
110	•			•	•		•		
120	•			•					
220	•	•		•			•		
230	•	•		•	•				
240	•			•			•		

• Available options

Direct Operated | 2W | GEM-SOL | Inline 1/8", 1/4" NC, NO

Dimensions



Size (G)	A	ØB	C
1/8"	20	16	68
1/4"	23	18	88

How to Order

GEM-I	BODY	PORT	FUNCTION	ORIFICE (1)	SEALS	VOLTAGE	POWER	CONNECTOR
	Hex. Brass	4 1/8" BSP	10 2W NC	1 0.8	1 NBR N	W/out coil 0	No coil 0	without 0
	"Inline" mounting	5 1/8" NPT	11 2W NO	2 1.2	2 FKM V	6 1	AC8W 50Hz 1	with 1
		1/4" BSP	20	1.6	3 EPDM E	12 2	AC8W 60Hz 2	with LED 2
		1/4" NPT	21	2.0	4	24 3	DC10W 3	with bi-color LED 3
				2.4	5	48 4	AC5.5W 50Hz 4	flying leads coil 4
				3.0	6	110 5	AC5.5W 60Hz 5	with 1/2" Hub 5
				4.0 (3)	7	120 6	DC5.5W 7	surge protection with LED connector with moulded cable 6
				6.0 (2)(3)	8	220 7A		connector with moulded cable 7
						230 7		other 9
						240 8		
						Latch/other (4)	9	

Example : GEM-I-41015N-311
GEM-SOL direct operated inline, hex. brass, 1/8" BSP, 2W NC, 2.4 orifice, NBR, 24V AC8W 50Hz with connector.

GEM-I - 4 10 1 5 N - 3 1 1

- (1) For NO, the maximum orifice size is 3mm
 - (2) 6mm orifice - for DC only
 - (3) Hex. body
 - (4) For specifying Latch type coil, please refer to GEM-A3P valve - How to Order table.
- * Note: When ordering without coil, please define what current and pressure rating is needed (DC, AC or ADC), otherwise an ADC valve will be supplied.

* To order valves manufactured according to your specific requirements, please contact our technical sales department.