

SOLENOID VALVES | General Purpose

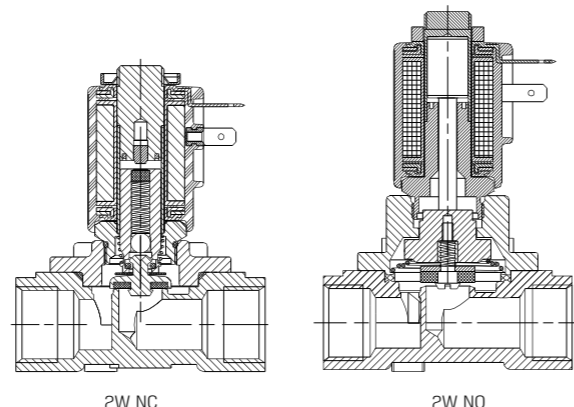
Direct Operated | 2W

GEM-L | Low pressure flows (LPF) 1/4" - 1/2" 2 Way NC, NO



Brass

Stainless Steel



2W NC

2W NO

→ Flow direction

Technical Data

Function	2 Way NC, NO
Ports size	1/4", 3/8", 1/2" BSP & NPT
Pressure range	See table
Kv (l/min)	See table
Temperature range	Fluid : -10°C to 80°C (no freezing) Ambient : -10°C to 50°C
Materials in contact with media	Main Valve: Brass Stainless Steel AISI 316 Solenoid Operator: Stainless Steel AISI 300 & 400 series Seals: NBR, FKM, EPDM
Media	Designed for use in LP gas systems. Also in air, water and vacuum systems : (high flow at low pressure)
Coil voltage	• Voltage and power consumption - see table • All Baccara coil voltages are ± 10% of nominal
Standard protection class	IP65 with connector * Option : IP68 (please refer to GEM-BP Coil)

• Latch valves are available upon request.

Pressure (bar) & Flow table NC, NO

Size	Orifice (mm)	Pressure (bar)			Kv (l/min)
		AC	DC	NO	
1/4"	8	1.5	0.7	0.5	12
3/8"	8	1.5	0.7	0.5	16
1/2"	12	0.8	0.4	0.3	35

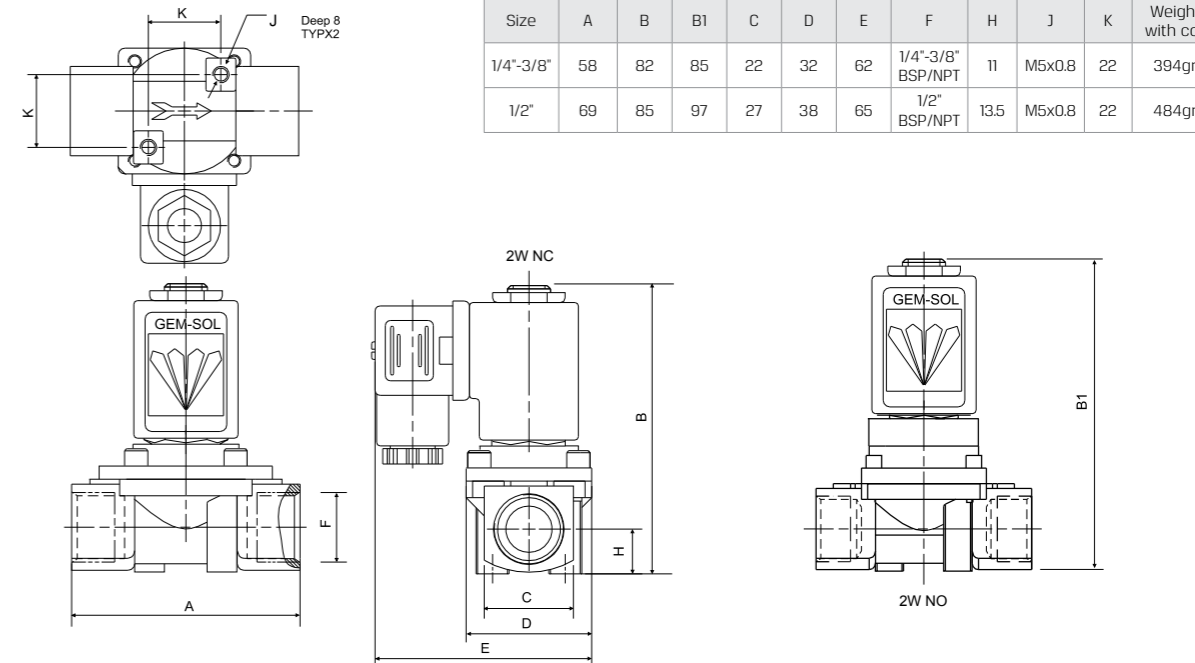
Voltage & Power Consumption

V	AC (W)						DC (W)		
	50 Hz			60 Hz			10	5.5	3.5
	8	5.5	2.5	8	5.5	2.5			
6							•		
12	•			•			•		
24	•			•			•		
48	•			•			•		
110	•			•			•		
120	•			•					
220	•			•			•		
230	•			•					
240	•			•			•		

• Available options

Direct Operated | 2W | GEM-SOL | Low pressure flows 1/4" - 1/2" NC, NO

Dimensions



Size	A	B	B1	C	D	E	F	H	J	K	Weight with coil
1/4"-3/8"	58	82	85	22	32	62	1/4"-3/8" BSP/NPT	11	M5x0.8	22	394gr
1/2"	69	85	97	27	38	65	1/2" BSP/NPT	13.5	M5x0.8	22	484gr

How to Order

GEM-L	-	BODY	PORT	FUNCTION	SEALS	-	VOLTAGE	POWER	CONNECTOR	* When ordering without coil, please define what current and pressure rating is needed (DC, AC)			
										W/out coil	No coil		
Brass	2	1/4" BSP	20	2W NC	1	NBR	N	W/out coil	0	No coil	0	without	0
Stainless Steel	3	1/4" NPT	21	2W NO	2	FKM	V	6	1	AC8W 50Hz	1	with	1
								12	2	AC8W 60Hz	2	with LED	2
								24	3	DC10W	3	with bi-color LED	3
								48	4			flying leads coil	4
								110	5			with 1/2" Hub surge protection with LED	5
120	6			connector with LED	6								
220	7A			connector with moulded cable	7								
230	7			other	9								
240	8												
Latch/other (1)	9												

Example : GEM-L-220IN-321
GEM-SOL LPF brass, 1/4"BSP, 2W NC, NBR seals, 24V AC 8W 60Hz with connector.

GEM-L - 2 20 1 N - 3 2 1

(1) For specifying Latch type coil, please refer to GEM-A3P valve - How to Order table.

* To order valves manufactured according to your specific requirements, please contact our technical sales department.