

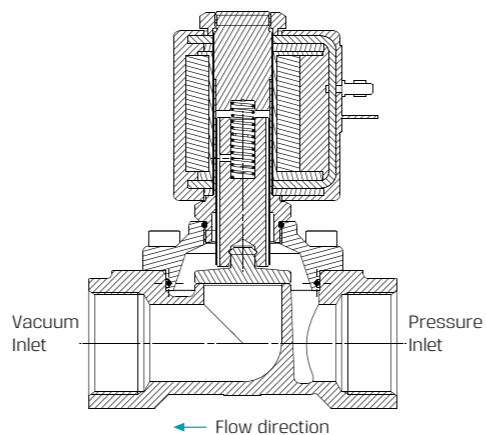
SOLENOID VALVES | General Purpose

Direct Operated | 2W

GEM-L | Low pressure flows (LPF) 3/4", 1" 2 Way NC



Brass | 1"



Technical Data

Function	2 Way NC
Ports size	3/4", 1" BSP & NPT
Pressure range	See table
Kv (l/min)	See table
Temperature range	Fluid : -10°C to 80°C (no freezing) Ambient : -10°C to 50°C
Materials in contact with media	Main Valve: Brass Stainless Steel AISI 316 Solenoid Operator: Stainless Steel AISI 300 & 400 series Seals: NBR
Media	Designed for use in LP gas systems. Also in air, water and vacuum systems : (high flow at low pressure)
Coil voltage	• Voltage and power consumption - see table • All Baccara coil voltages are ± 10% of nominal
Standard protection class	IP65 with connector * Option : IP68 (please refer to GEM-BP Coil)

Pressure (bar) & Flow table NC

Size	Orifice (mm)	Pressure (bar)	Kv (l/min)
3/4"	20	-1 to 1	80
1"	25		125

Voltage & Power Consumption

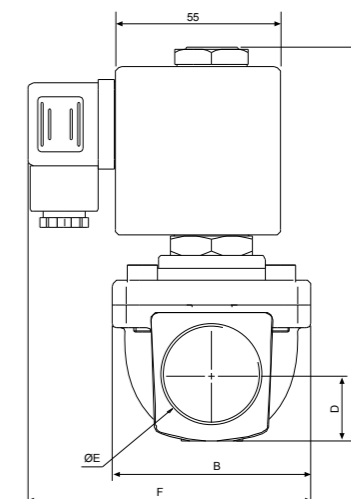
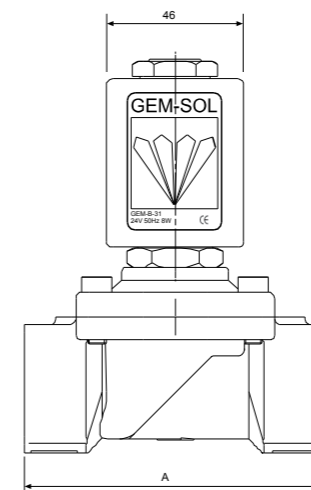
V	AC (W)		DC (W)
	50 Hz	60 Hz	
12			•
24	•		•
120		•	•
230	•		•

• Available options

Direct Operated | 2W | GEM-SOL | Low pressure flows 3/4", 1" NC

Dimensions

Size	A	B	C	D	E	F	Weight with coil
3/4"	90	55	119.5	17	3/4" BSP/NPT	87.7	87.7
1"	100	65	128.5	21	1" BSP/NPT	92.7	92.7



How to Order

GEM-L	BODY	PORT	FUNCTION	SEALS
Brass	2	3/4" BSP	50	2W NC 1 NBR N
Stainless Steel	3	3/4" NPT	51	
		1" BSP	60	
		1" NPT	61	

* When ordering without coil, please define what current and pressure rating is needed (DC, AC)

VOLTAGE	POWER	CONNECTOR
W/out coil	0 No coil	0 without
12	2 AC38W 50Hz	E with
24	3 AC38W 60Hz	F with LED
120	6 DC38W	J with bi-color LED
230	7	with 1/2" Hub surge protection with LED connector with moulded cable
		other

Example : GEM-L-2501N-3E1
GEM-SOL LPF brass, 3/4" BSP, 2W NC, NBR seals, 24V AC 38W 50Hz with connector.

GEM-L - 2 50 1 N - 3 E 1

* To order valves manufactured according to your specific requirements, please contact our technical sales department.