

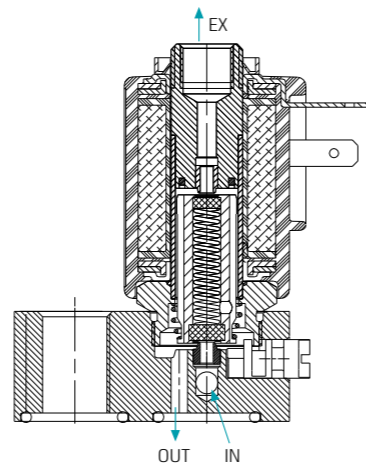
SOLENOID VALVES | Special Purpose

Sub-base

GEM-N | NAMUR 3 Way NC



Aluminium | plastic manual override



Technical Data

Function	3 Way NC
Orifice size	See table
Pressure range	See table • Higher pressures are available
Kv (l/min)	See table
Temperature range	Fluid : -10°C to 80°C (no freezing) Ambient : -10°C to 50°C
Materials in contact with media	Manual override: Plastic, Brass Main Valve: Aluminium Solenoid Operator: Stainless Steel AISI 300 & 400 series Seals: NBR, FKM
Media	Air, water, oil
Coil voltage	• Voltage and power consumption - see table • All Baccara coil voltages are ± 10% of nominal
Standard protection class	IP65 with connector * Option : IP68 (please refer to GEM-BP Coil)

Max. Pressure (bar) 2W NC table

Coil Current/Power	Orifice (mm)	
	1.6	2.4
ADC *	15	8
AC8W, DC10W	17	10
AC5.5W	15	8
AC2.5W, DC5.5W,3.5W	10	5
Flow factor Kv(l/min)	1.7	3.5

* ADC valves are only suitable for use with AC8W or DC10W coils.

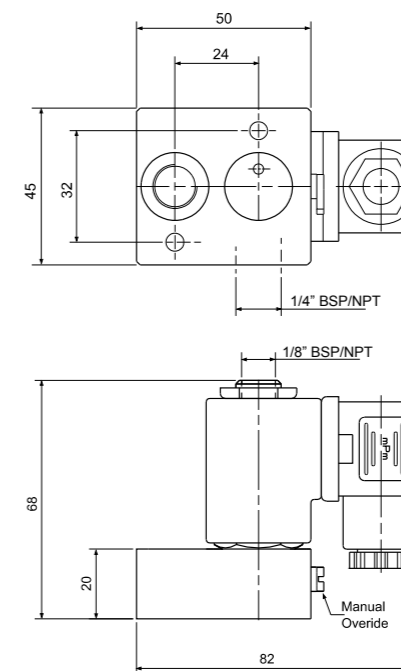
Voltage & Power Consumption

V	AC (W)						DC (W)		
	50 Hz			60 Hz			10	5.5	3.5
6							•	•	•
12	•			•			•	•	•
24	•	•	•	•	•	•	•	•	•
48	•			•			•		
110	•			•	•		•		
120	•			•					
220	•	•	•	•			•		
230	•	•		•	•				
240	•			•			•		

• Available options

Sub-base | GEM-SOL | NAMUR 3 Way NC

Dimensions



How to Order

GEM-N	BODY	FUNCTION	ORIFICE	SEALS	MANUAL OVERRIDE	VOLTAGE	POWER	CONNECTOR
Aluminium	5	3W NC	3	NBR	N	None	0	W/out coil
			1.6			0	No coil	0
			2.4	FKM	V	Plastic	1	with
					Slot	2	12	2
					Knob	3	24	3
						4	48	4
						5	110	5
						6	120	6
						7A	220	7
						7	230	8
						8	240	8
						9	Latch/other (1)	9

Example : GEM-N-535N1-311

GEM-SOL direct operated NAMUR, aluminium, 3W NC, 2.4 orifice, NBR, plastic manual override, 24V AC 8W 50Hz with connector.

GEM-N - 5 3 5 N 1 - 3 1 1

(1) For specifying Latch type coil, please refer to GEM-A3P valve - How to Order table.

* Note: When ordering without coil, please define what current and pressure rating is needed (DC, AC or ADC), otherwise an ADC valve will be supplied.

* To order valves manufactured according to your specific requirements, please contact our technical sales department.