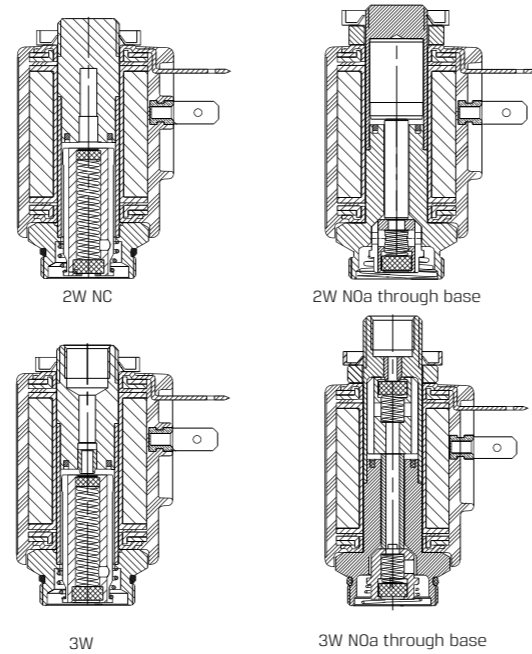


SPARE PARTS

GEM-O | Operator 2 Way, 3 Way NC, NO

Applicable for GEM-A, GEM-S & GEM-Z valves



Technical Data

Function	2 Way, 3 Way NC, NO
Orifice size	0.8 to 3mm
Pressure range (bars)	See solenoid valve performances
Temperature range	Fluid : -10°C to 80°C (no freezing) Ambient : -10°C to 50°C
Response time	16 to 36 ms complete cycle
Materials in contact with media	Operator: Stainless Steel AISI 300 & 400 series Shading ring: standard - copper upon request - silver and aluminium Note : Operator for DC is without shading ring and may not be used for AC Orifice: Stainless Steel Spring: Stainless Steel AISI 300 series
Media	Air, gas, water, fuel, oil etc.
Threads on operator tube	G1/4" male and G1/8" or 1/8" NPT female to connect exhaust, muffler etc.
Operator assembly	By screwing M20x1 hexagonal 22mm to the valve body and fixing coil by one G1/4" hexagonal 19mm metal or plastic nut • Max. tightening torque : 3 N/m
Coil fixing	Any position, can be turned 360° around the operator.
Coil data	See technical GEM-SOL coil data
Coil voltage	• Voltage and power consumption - see table • All Baccara coil voltages are ±10% of nominal

• ADC operators and valves are suitable for use with AC 8W or DC 10W

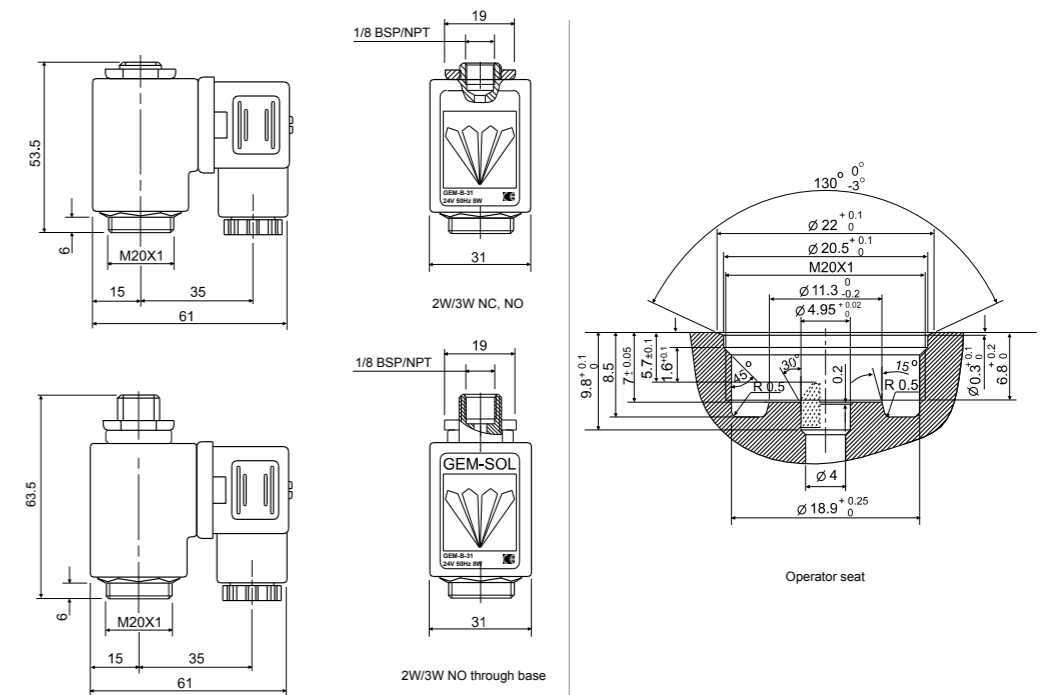
Voltage & Power Consumption

V	AC (W)						DC (W)		
	50 Hz			60 Hz			10	5.5	3.5
6							•	•	•
12	•				•		•	•	•
24	•	•	•	•	•	•	•		
48	•				•		•		
110	•				•		•		
120	•				•				
220	•	•	•	•			•		
230	•	•			•				
240	•				•		•		

• Available options

GEM-O | Operator 2 Way, 3 Way NC, NO

Dimensions



How to Order

2W		FUNCTION		SEALS		VOLTAGE		POWER		CONNECTOR	
GEM-O	2W	2W NC	1	NBR	N	W/out coil	0	No coil	0	without	0
		2W NO ⁽¹⁾	2a	FKM	V	6	1	AC8W 50Hz	1	with	1
3W		PORT		FUNCTION		ORIFICE		SEALS		VOLTAGE	
GEM-O	1/8" BSP	10	2W NO	2	0.8	1	EPDM	E	12	2	AC8W 60Hz
	1/8" NPT	11	3W NC	3	1.2	2	PTFE ⁽³⁾	T	24	3	DC10W
			3W NO	4	1.6	3	FFKM ⁽²⁾	K	48	4	AC5.5W 50Hz
			3W NO ⁽¹⁾	4a	2.0	4			110	5	AC5.5W 60Hz
					2.4	5			120	6	AC2.5W 50/60Hz
					3.0	6			220	7A	DC5.5W
									230	7	DC3.5W
									240	8	other
									Latch/other ⁽⁴⁾	9	

Example : GEM-O-2W1-N-341

GEM-SOL Operator 2W NC, NBR, 24V AC 5.5W 50Hz with connector

GEM-O	-	2W	-	1	-	N	-	3	-	4	-	1
-------	---	----	---	---	---	---	---	---	---	---	---	---

Example : GEM-O-1034-V-341

GEM-SOL Operator, 1/8" BSP, 3W NC, Orifice 2.0, FKM, 24V AC 5.5W 50Hz with connector

GEM-O	-	10	-	3	-	4	-	V	-	3	-	4	-	1
-------	---	----	---	---	---	---	---	---	---	---	---	---	---	---

(1) Supply pressure through base

(2) FFKM O-ring is available only upon request

When ordering FFKM seals, please consult with our technical sales department about O-ring compound

(3) For PTFE seals, the O-ring is FKM seal as default. Please contact us if you require a different O-ring material

(4) For specifying Latch type coil, please refer to GEM-A3P valve - How to Order table

* Note: When ordering without coil, please define what current and pressure rating is needed (DC, AC or ADC), otherwise an ADC valve will be supplied

* To order operators manufactured according to your specific requirements, please contact our technical sales department