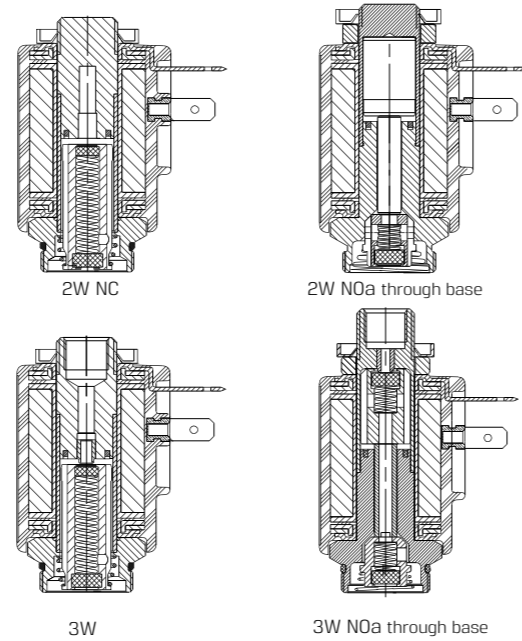


SOLENOID VALVES | Spare Parts

Operators

GEM-O | Operator 2 Way, 3 Way NC, NO

Applicable for GEM-A, GEM-S & GEM-Z valves



Technical Data

Function	2 Way, 3 Way NC, NO
Orifice size	0.8 to 3mm
Pressure range (bars)	See solenoid valve performances
Temperature range	Fluid : -10°C to 80°C (no freezing) Ambient : -10°C to 50°C
Response time	16 to 36 ms complete cycle
Materials in contact with media	Operator: Stainless Steel AISI 300 & 400 series Shading ring: standard - Copper upon request - silver and aluminium Note : Operator for DC is without shading ring and may not be used for AC Orifice: Stainless Steel Spring: Stainless Steel AISI 300 series
Media	Air, gas, water, fuel, oil etc.
Threads on operator tube	G1/4" male and G1/8" or 1/8" NPT female to connect exhaust, muffler etc.
Operator assembly	By screwing M20x1 hexagonal 22mm to the valve body and fixing coil by one G1/4" hexagonal 19mm metal or plastic nut. • Max. tightening torque : 3 N/m
Coil fixing	Any position, can be turned 360° around the operator.
Coil data	See technical GEM-SOL coil data
Coil voltage	• Voltage and power consumption - see table • All Baccara coil voltages are ±10% of nominal

• ADC operators and valves are suitable for use with AC 8W or DC 10W.

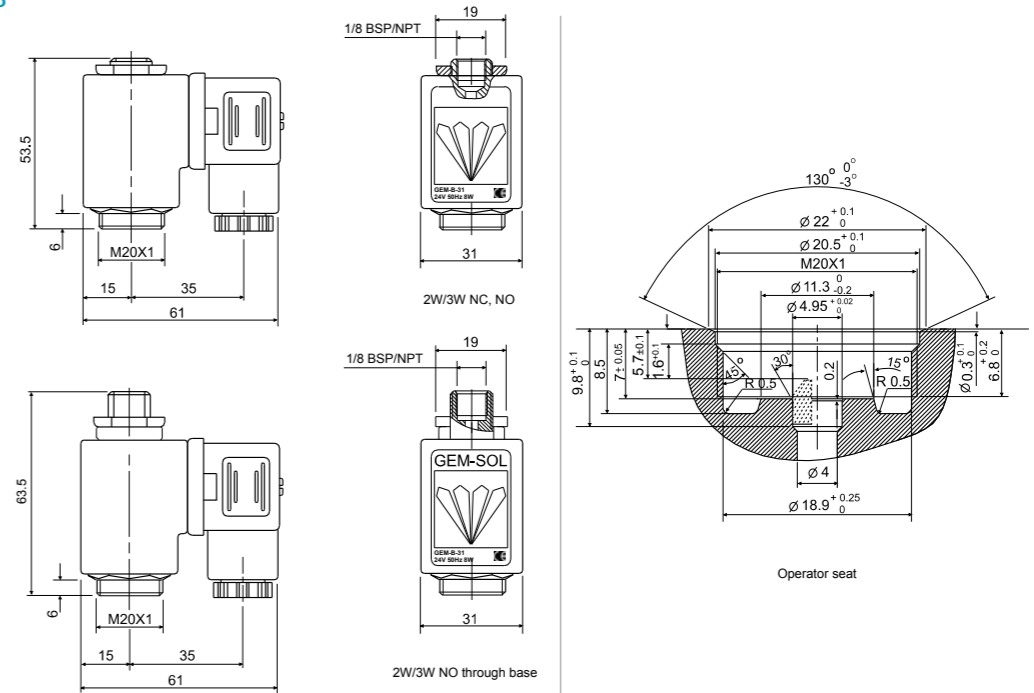
Voltage & Power Consumption

V	AC (W)						DC (W)		
	50 Hz			60 Hz			10	5.5	3.5
6							•	•	•
12	•				•		•	•	•
24	•	•	•	•	•	•	•		
48	•				•		•		
110	•				•		•		
120	•				•				
220	•	•	•	•			•		
230	•	•		•	•				
240	•			•			•		

• Available options

Operators | GEM-SOL | 2 Way, 3 Way NC, NO

Dimensions



How to Order

GEM-O	PORT	FUNCTION	ORIFICE	SEALS	VOLTAGE	POWER	CONNECTOR				
							SEALS	CONNECTOR			
2W	10	2W NC	1	NBR N	W/out coil	0	No coil	0			
		2W NO (1)	2a				without	0			
		2W NO (1)	2a				with	1			
3W	11	3W NC	3	FKM V	6	1	AC8W 50Hz	1			
							EPDM E	12	2	AC8W 60Hz	2
										with LED	2
	10	2W NO	2	0.8	PTFE (3) T	24	3	DC10W	3		
								with bi-color LED	3		
										with flying leads	3
	11	3W NO	4	1.6	FFKM (2) K	48	4	AC5.5W 50Hz	4		
								with 1/2" Hub	5		
										AC5.5W 60Hz	5
7A	3	3W NO (1)	4a		110	5	AC2.5W 50/60Hz	6			
							surge protection with LED connector	6			
									with LED connector	6	
7	3	3W NO (1)	4a		220	7A	DC5.5W	7			
							with moulded cable	7			
									with moulded cable	7	
8	3	3W NO (1)	4a		230	7	DC3.5W	8			
							other	9			
									other	9	
9	3	3W NO (1)	4a		240	8	Latch/other (4)	9			
							other	9			
									other	9	

Example : GEM-O-2W1-N-341

GEM-SOL Operator 2W NC, NBR, 24V AC 5.5W 50Hz with connector.

GEM-O	-	2W	-	1	-	N	-	3	-	4	-	1
-------	---	----	---	---	---	---	---	---	---	---	---	---

Example : GEM-O-1034-V-341

GEM-SOL Operator, 1/8"BSP, 3W NC, Orifice 2.0, FKM, 24V AC 5.5W 50Hz with connector.

GEM-O	-	10	-	3	-	4	-	V	-	3	-	4	-	1
-------	---	----	---	---	---	---	---	---	---	---	---	---	---	---

- (1) Supply pressure through base
 - (2) FFKM O-ring is available only upon request.
 - (3) For PTFE seals, the O-ring is FKM seal as default. Please contact us if you require a different O-ring material.
 - (4) For specifying Latch type coil, please refer to GEM-A3P valve - How to Order table.
- * Note: When ordering without coil, please define what current and pressure rating is needed (DC, AC or ADC), otherwise an ADC valve will be supplied.

* To order operators manufactured according to your specific requirements, please contact our technical sales department.