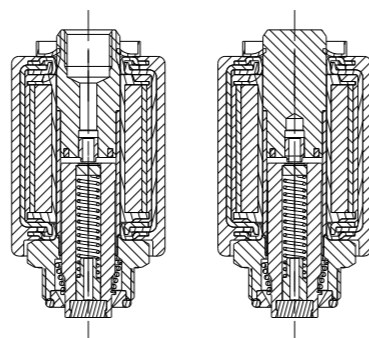


# SOLENOID VALVES | Spare Parts

## Operators

### GEM-OG | Operator 3/4" UNEF 2 Way, 3 Way NC, NO

Applicable for GEM-GALIT, GEM-S-4 valves



### Technical Data

Function	2 Way, 3 Way NC, NO and Latch
Orifice size	0.8 to 3mm
Pressure range (bars)	See solenoid valve performances
Temperature range	<b>Fluid :</b> -10°C to 80°C (no freezing) <b>Ambient :</b> -10°C to 50°C
Response time	16 to 36 ms complete cycle
Materials in contact with media	<b>Operator:</b> Stainless Steel, AISI 300 & 400 series <b>Shading ring:</b> standard - Copper upon request - silver and aluminium <b>Note :</b> Operator for DC is without shading ring and may not be used for AC <b>Orifice:</b> Stainless Steel <b>Spring:</b> Stainless Steel AISI 300 series
Latch	• Optional
Media	Air, gas, water, fuel, oil etc.
Threads on operator tube	G1/4" male and G1/8" or 1/8" NPT female to connect exhaust, muffler etc.
Operator assembly	By screwing 3/4"-20 UNEF-28 hexagonal 22mm to the valve body and fixing the coil by one G1/4" hexagonal 19mm metal or plastic nut. • <b>Max. tightening torque : 3 N/m</b>
Coil fixing	Any position, can be turned 360° around the operator.
Coil data	See technical GEM-SOL coil data
Coil voltage	• Voltage and power consumption - see table • All Baccara coil voltages are ±10% of nominal

• ADC operators and valves are suitable for use with AC 8W or DC 10W.

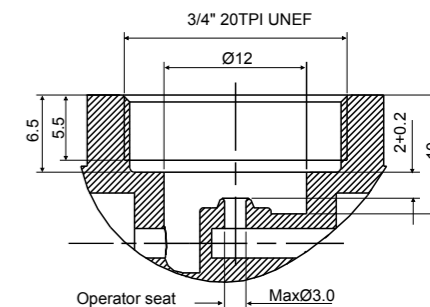
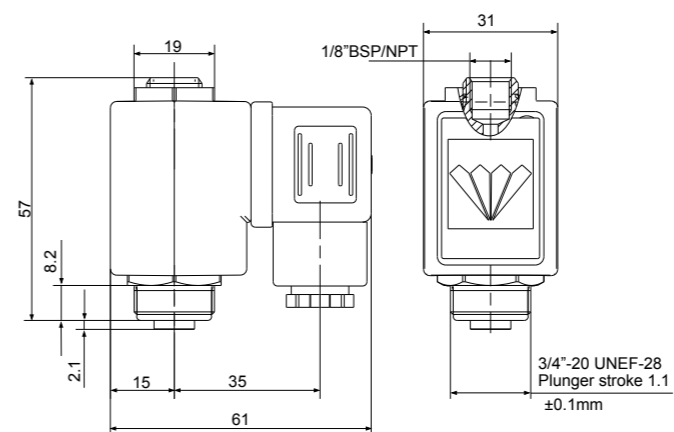
### Voltage & Power Consumption

V	AC (W)						DC (W)		
	50 Hz			60 Hz			10	5.5	3.5
6							•	•	•
12	•				•		•	•	•
24	•	•	•	•	•	•	•		•
48	•				•		•		
110	•				•		•		
120	•				•		•		
220	•	•	•	•			•		
230	•	•		•	•		•		
240	•				•		•		

• Available options

## Operators | GEM-SOL | 3/4" UNEF 2 Way, 3 Way NC, NO

### Dimensions



Operator seat

### How to Order

#### 2W

GEM-OG	2W	FUNCTION	SEALS	VOLTAGE	POWER	CONNECTOR
		2W NC 1	NBR N	W/out coil 0	No coil 0	without 0
		2W NO (1) 2a	FKM V	6 1	AC8W 50Hz 1	with 1
			EPDM E	12 2	AC8W 60Hz 2	with LED 2
				24 3	DC10W 3	with bi-color LED 3
				48 4	AC5.5W 50Hz 4	flying leads coil 4
				110 5	AC5.5W 60Hz 5	with 1/2" Hub 5
				120 6	AC2.5W 50/60Hz 6	surge protection with LED 6
				220 7A	DC5.5W 7	connector with moulded cable 7
				230 7	DC3.5W 8	other 9
				240 8		
				Latch/other (2) 9		

Example : GEM-OG-2W1-N-341

GEM-SOL 3/4" UNEF operator, 2W NC, NBR, 24V AC 5.5W 50Hz with connector.

GEM-OG - 2W - 1 - N - 3 - 4 - 1

Example : GEM-OG-1034-V-341

GEM-SOL 3/4" UNEF operator, 1/8" BSP, 3W NC, 2.0, FKM, 24V AC 5.5W 50Hz with connector.

GEM-OG - 10 - 3 - 4 - V - 3 - 4 - 1

(1) Supply pressure through base

(2) For specifying Latch type coil, please refer to GEM-A3P valve - How to Order table.

\* Note: When ordering without coil, please define what current and pressure rating is needed (DC, AC or ADC), otherwise an ADC valve will be supplied.

\* To order operators manufactured according to your specific requirements, please contact our technical sales department.