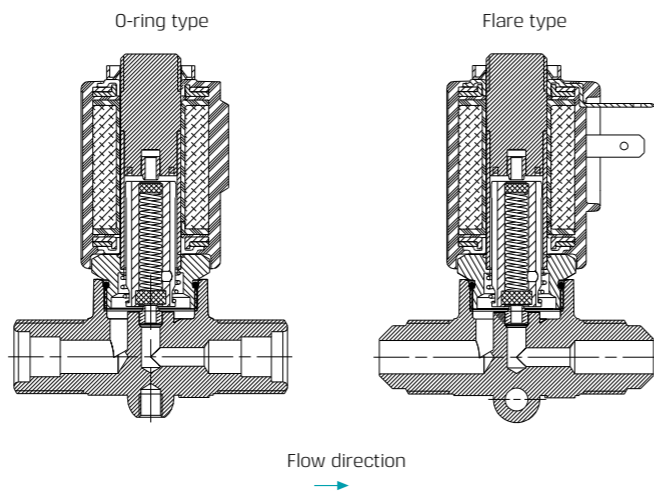
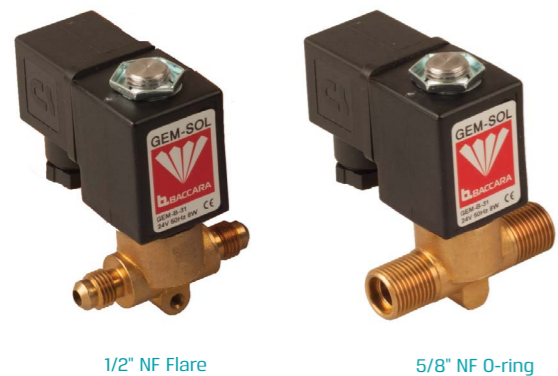


# SOLENOID VALVES | Special Purpose

## Refrigeration

### GEM-R | For air conditioning systems 2 Way NC



#### Technical Data

Function	2 Way NC
Orifice size	See table
Pressure range	See table
Kv (l/min)	See table
Temperature range	<b>Fluid</b> : -10°C to 80°C (no freezing) <b>Ambient</b> : -10°C to 50°C
Materials in contact with media	<b>Main Valve:</b> Brass <b>Solenoid Operator:</b> Stainless Steel AISI 300 & 400 series <b>Seals:</b> NBR for R-134a Neoprene for R12 & R22
Media	Refrigeration fluids
Coil voltage	• Voltage and power consumption - see table • All Baccara coil voltages are ± 10% of nominal
Standard protection class	IP65 with connector * Option : IP68 (please refer to GEM-BP Coil)

• ADC valves are only suitable for use with AC8W or DC10W coils.

#### Max. Pressure (bar) 2W NC table

Coil Current/Power	Orifice(mm)
	2.4
AC8W, DC10W	30
Flow factor Kv(l/min)	3.5

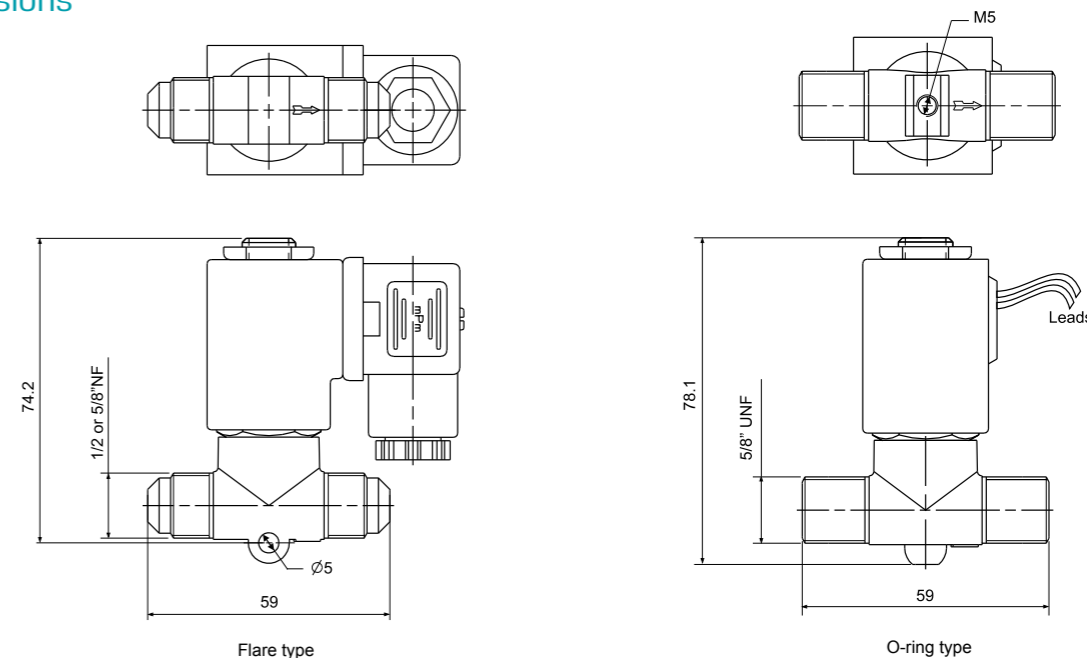
#### Voltage & Power Consumption

V	AC (W)						DC (W)		
	50 Hz			60 Hz			10	5.5	3.5
	8	5.5	2.5	8	5.5	2.5			
6							•		
12	•			•			•		
24	•			•			•		
48	•			•			•		
110	•			•			•		
120	•			•			•		
220	•			•			•		
230	•			•			•		
240	•			•			•		

• Available options

## Refrigeration | GEM-SOL | For air conditioning systems 2 Way NC

#### Dimensions



#### How to Order

GEM-R	BODY	PORT	FUNCTION	ORIFICE	SEALS	VOLTAGE	POWER	CONNECTOR								
	Brass	2	1/2" NF Flare	1	2W NC	1	2.4	5	NBR	N	W/out coil	0	No coil	0	without	0
			5/8" NF Flare	2					Neoprene	C	6	1	AC8W 50Hz	1	with	1
			5/8" NF O-ring	4							12	2	AC8W 60Hz	2	with LED	2
											24	3	DC10W	3	with bi-color LED	3
											48	4			flying leads coil	4
											110	5			with 1/2" Hub	5
											120	6			surge protection with LED	6
											220	7A			connector with moulded cable	7
											230	7			other	9
											240	8				
											Latch/other <sup>(1)</sup>	9				

Example : GEM-R-2415N-311

GEM-SOL direct operated, brass, 5/8" NF O-ring, 2W NC, 2.4 orifice, NBR, 24V AC 8W 50Hz with connector.

GEM-R - 2 4 1 5 N - 3 1 1

(1) For specifying Latch type coil, please refer to GEM-A3P valve - How to Order table.

\* Note: When ordering without coil, please define what current and pressure rating is needed (DC, AC or ADC), otherwise an ADC valve will be supplied.

\* To order valves manufactured according to your specific requirements, please contact our technical sales department.