

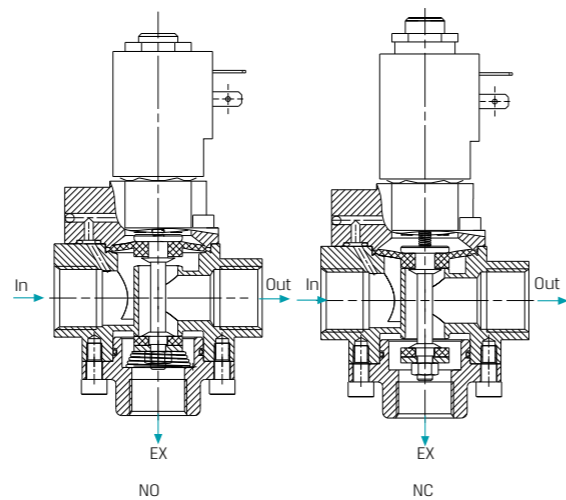
SOLENOID VALVES | General Purpose

Pilot Operated | 3W

GEM-S | 1/4" - 1/2" 3 Way NC, NO



Brass | 1/2" | knob manual override



Technical Data

| | |
|---------------------------------|--|
| Function | 3 Way NC, NO |
| Ports size | 1/4", 3/8", 1/2" BSP & NPT |
| Pressure range | See table |
| Kv (l/min) | See table |
| Temperature range | Fluid : -10°C to 80°C (no freezing) Ambient : -10°C to 50°C |
| Materials in contact with media | Manual override: NC : Push in lock hydraulic bypass NO : Brass screw or finger knob Main Valve: Brass Solenoid Operator: Stainless Steel AISI 300 & 400 series Seals: NBR, FKM, EPDM |
| Media | Air, water, light oil |
| Coil voltage | • Voltage and power consumption - see table • All Baccara coil voltages are ± 10% of nominal |
| Standard protection class | IP65 with connector * Option : IP68 (please refer to GEM-BP Coil) |

Pressure (bar) & Flow table

| Size | Orifice (mm) | Pressure (bar) | Kv(l/min) |
|------------|--------------|----------------|-----------|
| 1/4" | 8 | 0.8 to 12 | 18 |
| 3/8", 1/2" | 12 | | 50 |

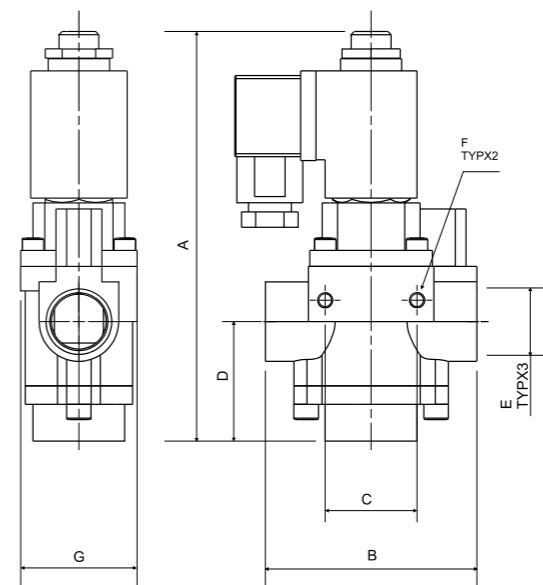
Voltage & Power Consumption

| V | AC (W) | | | | | | DC (W) | | |
|-----|--------|--|--|-------|--|--|--------|-----|-----|
| | 50 Hz | | | 60 Hz | | | 10 | 5.5 | 3.5 |
| 6 | | | | | | | • | | |
| 12 | • | | | • | | | • | | |
| 24 | • | | | • | | | • | | |
| 48 | • | | | • | | | • | | |
| 110 | • | | | • | | | • | | |
| 120 | • | | | • | | | | | |
| 220 | • | | | • | | | • | | |
| 230 | • | | | • | | | | | |
| 240 | • | | | • | | | • | | |

• Available options

Pilot Operated | 3W | GEM-SOL | 1/4" - 1/2" NC, NO

Dimensions

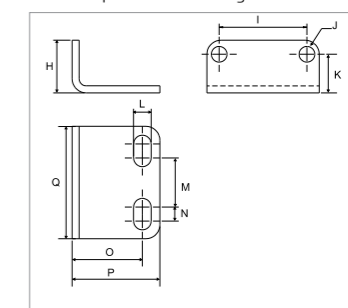


| Size | A | B | C | D | E | F | G | Weight with coil |
|-----------|-------|----|----|------|------|---------------|----|------------------|
| 1/4" | 124.5 | 58 | 25 | 32.5 | 1/4" | M4x0.7 Deep 6 | 32 | 540gr. |
| 3/8" 1/2" | 134 | 69 | 30 | 32.5 | 1/2" | M5x0.8 Deep 7 | 38 | 758gr. |

Optional Mounting Bracket

| Size | H | I | J | K | L | M | N | O | P | Q |
|-----------|----|----|------|----|---|----|---|----|----|----|
| 1/4" | 15 | 25 | Ø4.5 | 11 | 5 | 14 | 4 | 20 | 25 | 32 |
| 3/8" 1/2" | 20 | 30 | Ø6 | 13 | 6 | 22 | 4 | 25 | 33 | 40 |

Optional Mounting Bracket



How to Order

| GEM-S | BODY | PORT | FUNCTION | SEALS | MANUAL OVERRIDE | BRACKET | VOLTAGE | POWER | CONNECTOR | | | | | | | | |
|-------|------|----------|----------|-------|-----------------|---------|---------|---------------|-----------|---------|---|-----------------|----|-----------|---|------------------------------|---|
| Brass | 2 | 1/4" BSP | 20 | 3W NC | 3 | NBR | N | None | 0 | without | 0 | W/out coil | 0 | No coil | 0 | without | 0 |
| | | 1/4" NPT | 21 | 3W NO | 4 | FKM | V | Slot (1) | 2 | with | 1 | 6 | 1 | AC8W 50Hz | 1 | with | 1 |
| | | 3/8" BSP | 30 | | | EPDM | E | Push lock (2) | 5 | | | 12 | 2 | AC8W 60Hz | 2 | with LED | 2 |
| | | 3/8" NPT | 31 | | | | | | | | | 24 | 3 | DC10W | 3 | with bi-color LED | 3 |
| | | 1/2" BSP | 40 | | | | | | | | | 48 | 4 | | | flying leads coil | 4 |
| | | 1/2" NPT | 41 | | | | | | | | | 110 | 5 | | | with 1/2" Hub | 5 |
| | | | | | | | | | | | | 120 | 6 | | | surge protection with LED | 6 |
| | | | | | | | | | | | | 220 | 7A | | | connector with moulded cable | 7 |
| | | | | | | | | | | | | 230 | 7 | | | other | 9 |
| | | | | | | | | | | | | 240 | 8 | | | | |
| | | | | | | | | | | | | Latch/other (3) | 9 | | | | |

Example : GEM-S-2204V21-311

GEM-SOL pilot operated, brass, 1/4" BSP, NO, FKM, slot manual override with bracket, 24V AC 8W 50Hz with connector.

GEM-S - 2 20 4 V 2 1 - 3 1 1

(1) For NO only

(2) For NC only

(3) For specifying Latch type coil, please refer to GEM-A3P valve - How to Order table.

* Note: When ordering without coil, please define what current and pressure rating is needed (DC, AC or ADC), otherwise an ADC valve will be supplied.

* To order valves manufactured according to your specific requirements, please contact our technical sales department.