

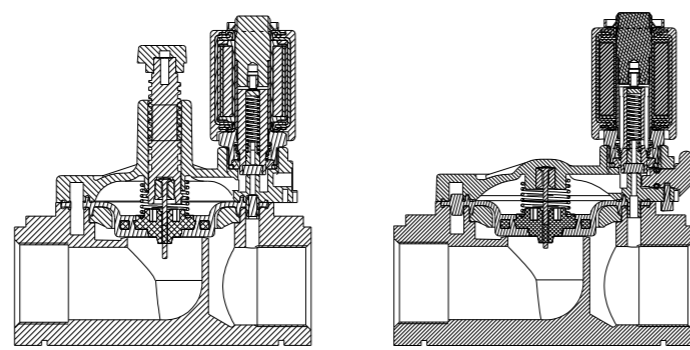
SOLENOID VALVES | Special Purpose

Plastic

GEM-S | Pilot operated 3/4" - 2" 2 Way NC, NO



1" | plastic manual override



Flow direction →

Technical Data

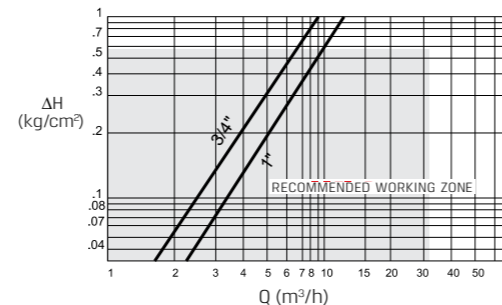
Function	2 Way NC, NO
Ports size	3/4", 1", 1-1/2", 2" BSPT & NPT
Connection	Female BSPT or NPT thread
Pressure range	0.3 - 10 bar
Temperature range	Fluid : 5°C to 50°C (no freezing) Ambient : -10°C to 50°C
Solenoid	GEM-SOL 3/4" UNEF, 2 Way NC or NO solenoids. All voltages
Materials in contact with media	Manual override: Reinforced Nylon Body & cover: Reinforced Nylon Spring: Stainless Steel AISI 302 Diaphragm: NR Seals: NBR Screws: Stainless Steel AISI 304 Solenoid: Stainless Steel AISI 300 & 400 series
Coil voltage	• Voltage and power consumption - see table • All Baccara coil voltages are ± 10% of nominal
Standard protection class	IP65 with connector * Option : IP68 (please refer to GEM-BP Coil)

• Progressive opening and shut off that prevents water hammer

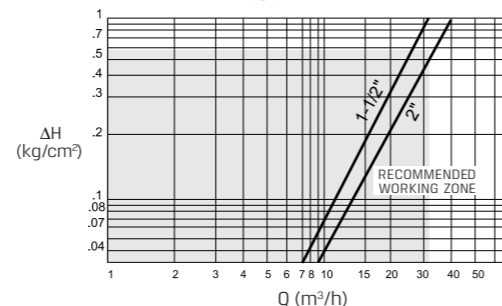
Flow & Orifice table

Size	Orifice (mm)	Kv (l/min)
3/4"	27	140
1"	27	200
1-1/2"	55	520
2"	55	600

Head loss for fully open valve



Head loss for fully open valve



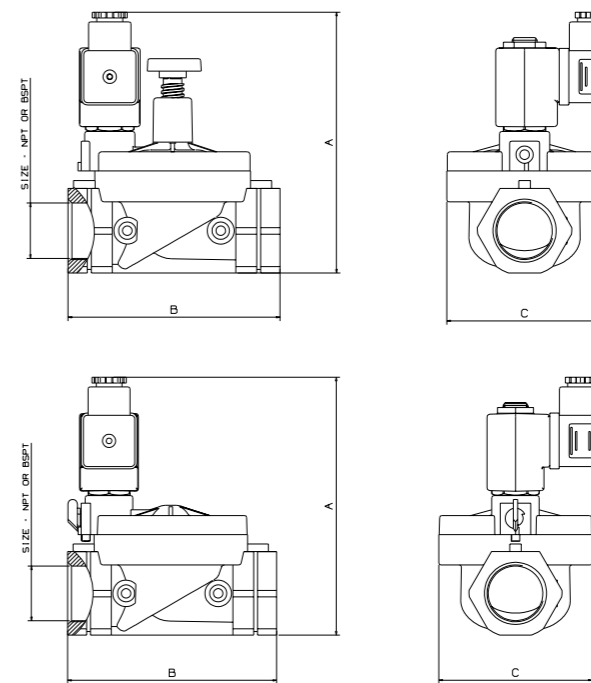
Voltage & Power Consumption

V	AC (W)						DC (W)		
	50 Hz			60 Hz			10	5.5	3.5
6									
12	•								
24	•	•		•	•				
48	•			•					
110	•			•	•				
120	•			•					
220	•	•		•					
230	•	•		•	•				
240	•			•					

• Available options

Plastic | GEM-SOL | Pilot operated 3/4" - 2" 2 Way NC, NO

Dimensions



with flow control

Size	A	B	C
3/4"	108	110	81
1"	135.5	110	81
1-1/2"	180	160	126
2"	190	170	126

without flow control

Size	A	B	C
3/4"	128.5	110	81
1"	135.5	110	81
1-1/2"	168	160	126
2"	179.5	170	126

How to Order

GEM-S	BODY	PORT	FUNCTION	SEALS	MANUAL OVERRIDE	FLOW CONTROL	VOLTAGE	POWER	CONNECTOR								
Plastic	4	3/4" BSPT	50	2W NC	1	NR	N	None	0	with	1	W/out coil	0	No coil	0	without	0
		3/4" NPT	51	2WNO	2a			Plastic	1	without (1)	2	6	1	AC8W 50Hz	1	with	1
		1" BSPT	60									12	2	AC8W 60Hz	2	with LED	2
		1" NPT	61									24	3	DC10W	3	with bi-color LED	3
		1-1/2" BSPT	70									48	4	AC5.5W 50Hz	4	flying leads coil	4
		1-1/2" NPT	71									110	5	AC5.5W 60Hz	5	with 1/2" Hub	5
		2" BSPT	80									120	6		6	surge protection with LED connector with moulded cable	6
		2" NPT	81									220	7A		7	with cable	7
												230	7		7	other	9
												240	8		8		
												Latch/other(2)	9		9		

* When ordering without coil, please define what current and pressure rating is needed (DC, AC)

Example : GEM-S-4501N11-331

GEM-SOL pilot operated, nylon body, 3/4" BSPT, 2W NC, NR, plastic manual override, with flow control, 24V DC 10W with connector.

GEM-S	-	4	50	1	N	1	1	3	3	1
-------	---	---	----	---	---	---	---	---	---	---

(1) 3/4", 1" valves only

(2) For specifying Latch type coil, please refer to GEM-A3P valve - How to Order table.

* To order valves manufactured according to your specific requirements, please contact our technical sales department.