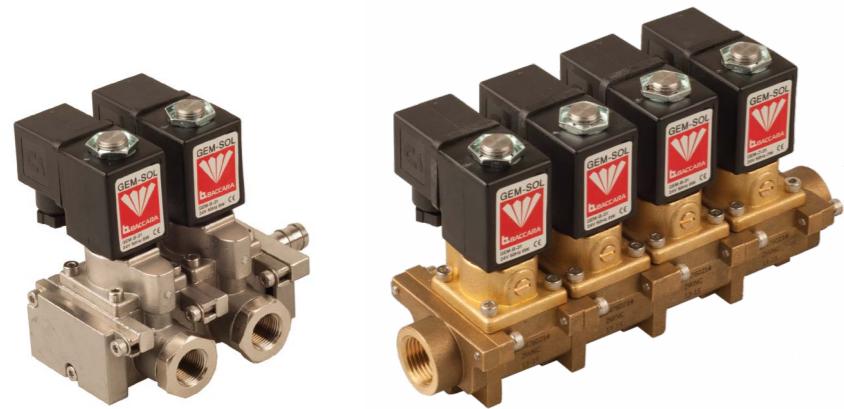


SOLENOID VALVES | General Purpose

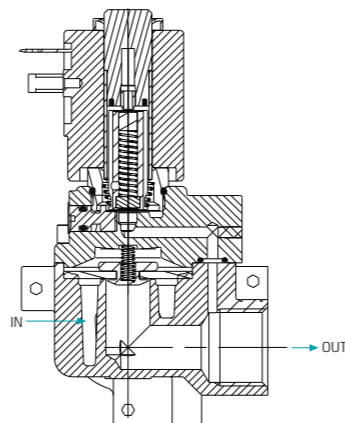
Pilot Operated | Manifolds

GEM-SM | Manifold 1/4", 1/2" 2 Way NC, NO



2 Station Manifold | Stainless Steel

4 Station Manifold | Brass



Technical Data

Function	2 Way NC, NO
Ports size	1/4", 1/2" BSP & NPT
Pressure range	See table *Minimum pressure differential of 0.3 or 0.5 is required
Kv (l/min)	See table
Temperature range	Fluid : -10°C to 80°C (no freezing) Ambient : -10°C to 50°C
Materials in contact with media	Manual override: NC/NO - Brass screw NOa* - manual override is not available *pressure is supplied through the base Main Valve: Brass Stainless Steel AISI 316 Solenoid Operator: Stainless Steel AISI 300 & 400 series Seals: NBR, FKM, EPDM
Assembly	• Stations attached by 3 screws • End stations are either with ports or plugged
Coil voltage	• Voltage and power consumption - see table • All Baccara coil voltages are ± 10% of nominal
Standard protection class	IP65 with connector * Option : IP68 (please refer to GEM-BP Coil)

- When using a manifold with more than 8 stations, it is advisable to use two air supplies, one at each end
- It is possible to combine functions on one manifold
- Slow closing system to prevent water hammer effect
- Pressure separation plug between stations is available.

Pressure (bar) & Flow table

Size	Orifice (mm)	Pressure (bar)	Kv(l/min)
1/4"	8	0.5 to 20	12
1/2"	12		35

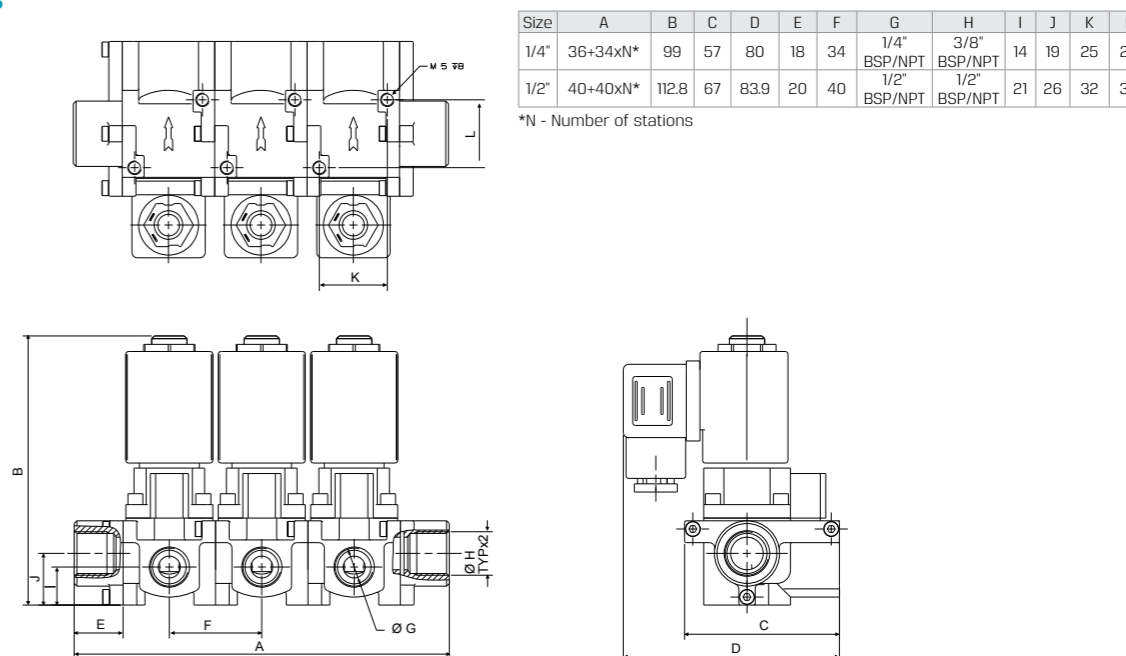
Voltage & Power Consumption

V	AC (W)						DC (W)		
	50 Hz			60 Hz			10	5.5	3.5
6							•		
12	•			•			•		
24	•			•			•		
48	•			•			•		
110	•			•			•		
120	•			•			•		
220	•			•			•		
230	•			•			•		
240	•			•			•		

• Available options

Pilot Operated | Manifolds | GEM-SOL | 1/4", 1/2" 2 Way NC, NO

Dimensions



Size	A	B	C	D	E	F	G	H	I	J	K	L
1/4"	36+34xN*	99	57	80	18	34	1/4" BSP/NPT	3/8" BSP/NPT	14	19	25	25
1/2"	40+40xN*	112.8	67	83.9	20	40	1/2" BSP/NPT	1/2" BSP/NPT	21	26	32	32

*N - Number of stations

How to Order

GEM-SM	No. of STATIONS	BODY	PORT	FUNCTION	SEALS	MANUAL OVERRIDE	VOLTAGE	POWER	CONNECTOR
specify quantity	2	Brass	1/4" BSP (1)	2W NC	NBR	N	W/out coil	No coil	without
	3	Stainless Steel	1/4" NPT (1)	2W NO	FKM	V	6	AC8W 50Hz	with
			1/2" BSP	2W NO(2) w/out tube	EPDM	E	12	AC8W 60Hz	with LED
			1/2" NPT				24	DC10W	with bi-color LED
							48		flying leads coil
							110		with 1/2" Hub
							120		surge protection with LED
							220	7A	connector with moulded cable
							230		other
							240		
							Latch/other (3)		

Example : GEM-SM-022202V2-321
GEM-SOL pilot operated manifold, 2 stations, brass, 1/4"BSP, 2W NO, FKM, slot manual override, 24V AC 8W 60Hz with connector.

GEM-SM - 02 2 20 2 V 2 - 3 2 1

- (1) Available only in brass
- (2) Manual override is not available
- (3) For specifying Latch type coil, please refer to GEM-A3P valve - How to Order table.
- * Note: When ordering without coil, please define what current and pressure rating is needed (DC, AC or ADC), otherwise an ADC valve will be supplied.

* To order valves manufactured according to your specific requirements, please contact our technical sales department.