

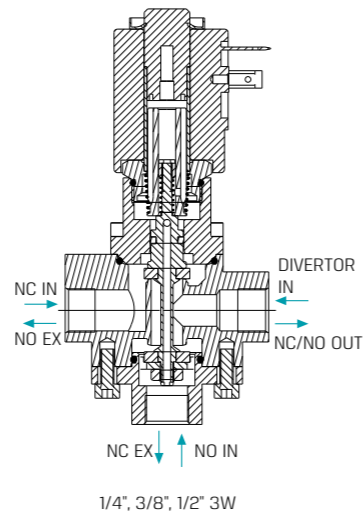
# SOLENOID VALVES | General Purpose

## Direct Operated | 3W

### GEM-X | General purpose 1/4" - 1/2" 3 Way



Brass | 1/4" - 1/2"



#### Technical Data

Function	3 Way General purpose
Ports size	1/4", 3/8", 1/2" BSP & NPT
Pressure range	See table
Kv (l/min)	See table
Temperature range	<b>Fluid</b> : -10°C to 80°C (no freezing) <b>Ambient</b> : -10°C to 50°C
Materials in contact with media	<b>Main Valve:</b> Brass <b>Solenoid Operator:</b> Stainless Steel AISI 300 & 400 series <b>Seals:</b> NBR, EPDM
Media	Air, water, oil
Coil voltage	• Voltage and power consumption - see table • All Baccara coil voltages are ± 10% of nominal
Standard protection class	IP65 with connector * Option : IP68 (please refer to GEM-BP Coil)

#### Pressure (bar) & Flow table NC, NO & diverter

Size	Orifice(mm)	Pressure (bar)	Kv(L/min)
1/4"	8	-1 to 3	12
3/8"	12	-1 to 5	16
1/2"	12	-1 to 5	35

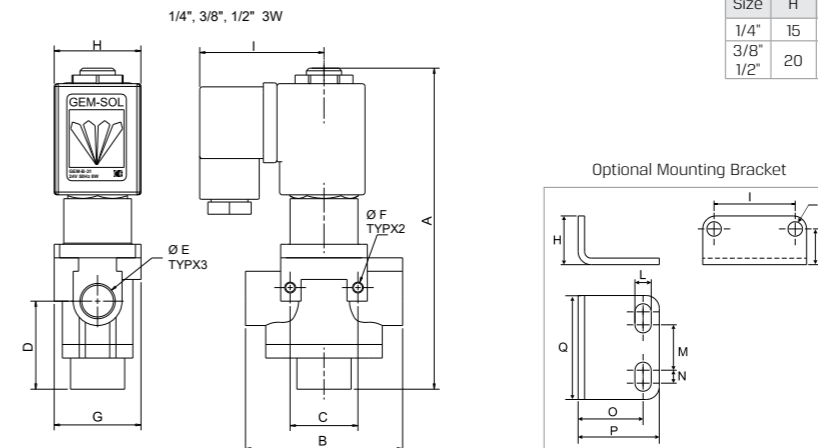
#### Voltage & Power Consumption 1/4" valves

V	AC						DC (W)		
	50 Hz			60 Hz			10	5.5	3.5
6							•		
12	•			•			•		
24	•			•			•		
48	•			•			•		
110	•			•			•		
120	•			•					
220	•			•			•		
230	•			•					
240	•			•			•		

• Available options

## Direct Operated | 3W | GEM-SOL | General purpose 1/4" - 1/2"

#### Dimensions



Size	A	B	C	D	E	F	G	H	I
1/4"	118.5	58	25	32.5	1/4" 3/8"	M4X0.7 Deep 6	32	32	45.9
3/8" 1/2"	147.8	69	30	41	1/2"	M5X0.8 Deep 7	38	45	59.7

#### Optional Mounting Bracket

Size	H	I	J	K	L	M	N	O	P	Q
1/4"	15	25	Ø4.5	11	5	14	4	20	25	32
3/8" 1/2"	20	30	Ø6	13	6	22	4	25	33	40

#### How to Order

GEM-X	BODY	PORT	FUNCTION	SEALS	BRACKET	* When ordering without coil, please define what current and pressure rating is needed (DC, AC)													
						VOLTAGE	POWER	CONNECTOR											
Brass	2	1/4" BSP	20	general purpose	9	NBR	N	without	0	W/out coil	0	No coil	0	without	0				
										EPDM	E	with	1	6	1	AC8W 50Hz	1	with	1
														12	2	AC8W 60Hz	2	with LED	2
														24	3	DC10W	3	with bi-color LED	3
														48	4			flying leads coil	4
														110	5			with 1/2" Hub	5
120	6			surge protection with LED	6														
220	7A			connector with moulded cable	7														
230	7			other	9														
240	8																		
Latch/other <sup>(1)</sup>	9																		

#### Example : GEM-X-2209N0-331

GEM-SOL general purpose direct operated, brass, 1/4" BSP, 3W general purpose, NBR, without bracket, 24V DC 10W with connector.

GEM-X - 2 20 9 N 0 - 3 3 1

(1) For specifying Latch type coil, please refer to GEM-A3P valve - How to Order table

\* To order valves manufactured according to your specific requirements, please contact our technical sales department.