

SOLENOID VALVES | General Purpose

Pilot Operated | 2W

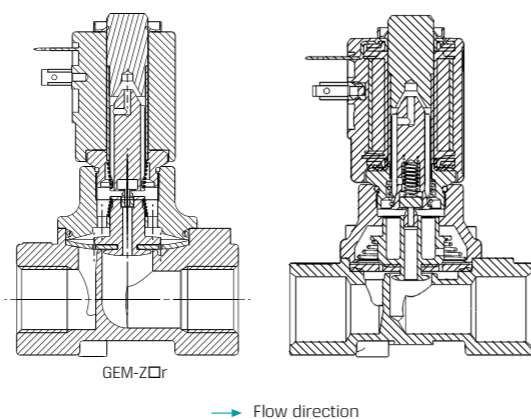
GEM-Z | Zero differential pressure 1/4" - 3/4" 2 Way NC, NO



Brass | 1/2" | NC



Stainless Steel | 1/2" | NC



Technical Data

Function	2 Way NC, NO
Ports size	1/4", 3/8", 1/2", 3/4" BSP & NPT
Pressure range	See table
Kv (l/min)	See table
Temperature range	Fluid : -10°C to 80°C (no freezing) Ambient : -10°C to 50°C
Materials in contact with media	Main Valve: Brass, Stainless Steel AISI 316 Solenoid Operator: Stainless Steel AISI 300 & 400 series Seals: NBR, FKM, EPDM
Media	Air, water, oil
Coil voltage	• Voltage and power consumption - see table • All Baccara coil voltages are ± 10% of nominal
Standard protection class	IP65 with connector * Option : IP68 (please refer to GEM-BP Coil)

- When switching from an AC to a DC coil, the solenoid operator must be changed as well.
- Can be used in vacuum application from -1 bar to maximum pressure - see tables.

Pressure (bar) & Flow table NC (GEM-Z)

Size	Orifice (mm)	Pressure (bar)		Kv (l/min)
		AC	DC	
1/4"	8	0 to 14	0 to 7	12
3/8"	12	0 to 14	0 to 8	17
1/2"	12	0 to 14	0 to 8	18

Pressure (bar) & Flow table NC (GEM-Z □ □ r)

Size	Orifice (mm)	Pressure (bar)		Kv (l/min)
		AC	DC	
1/2"	16	0 to 10	0 to 6	60
3/4"	16	0 to 10	0 to 6	80

Pressure (bar) & Flow table NO (GEM-Z)

Size	Orifice (mm)	Pressure (bar)		Kv (l/min)
		AC	DC	
1/4"	8	0 to 8	0 to 8	12
3/8", 1/2"	12	0 to 8	0 to 8	20

Voltage & Power Consumption

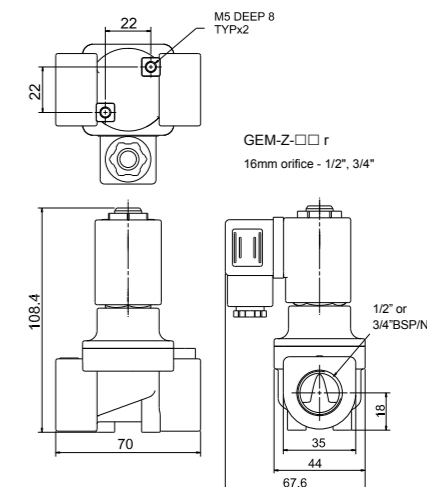
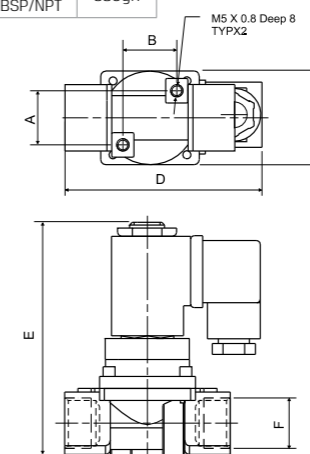
V	AC (W)						DC (W)		
	50 Hz			60 Hz			10	5.5	3.5
	8	5.5	2.5	8	5.5	2.5			
6							•		
12	•			•			•		
24	•			•			•		
48	•			•			•		
110	•			•			•		
120	•			•					
220	•			•			•		
230	•			•	•				
240	•			•			•		

• Available options

Pilot Operated | 2W | GEM-SOL | Zero differential pressure 1/4" - 3/4" NC, NO

Dimensions

Size	A	B	C	D	E	F	Weight with coil
1/4"	22	22	32	58	89	1/4" BSP/NPT	415gr.
3/8"	22	22	38	70	95	3/8" BSP/NPT	530gr.
1/2"	22	22	38	70	95	1/2" BSP/NPT	530gr.



How to Order

GEM-Z	-	BODY ⁽¹⁾	PORT	FUNCTION	SEALS	-	VOLTAGE	POWER	CONNECTOR				
Brass	2	1/4" BSP	20	2W NC	1	NBR	N	W/out coil	0	No coil	0	without	0
Stainless Steel ⁽²⁾	3	1/4" NPT	21	2W NO ⁽⁴⁾	2a	FKM	V	6	1	AC8W 50Hz	1	with	1
		3/8" BSP	30			EPDM	E	12	2	AC8W 60Hz	2	with LED	2
		3/8" NPT	31					24	3	DC10W	3	with bi-color LED	3
		1/2" BSP	40					48	4			flying leads coil	4
		1/2" NPT	41					110	5			with 1/2" Hub	5
		1/2" BSP	40r					120	6			surge protection with LED	6
		1/2" NPT	41r					220	7A			connector with moulded cable	7
		3/4" BSP	50r					230	7			other	9
		3/4" NPT ⁽³⁾	51r					240	8				
								Latch/other ⁽⁵⁾	9				

* When ordering without coil, please define what current and pressure rating is needed (DC, AC)

Example : GEM-Z-2401N-221

GEM-SOL zero differential, brass, 1/2" BSP, 2W NC, NBR, 12V AC8W 60Hz with connector.

GEM-Z - 2 40 1 N - 2 2 1

- (1) This valve is also available in plastic
- (2) Not available for GEM-Z □ □ r
- (3) 16mm orifice
- (4) NO function without M/O, not available for GEM-Z □ □ r
- (5) For specifying Latch type coil, please refer to GEM-A3P valve - How to Order table.

* To order valves manufactured according to your specific requirements, please contact our technical sales department.