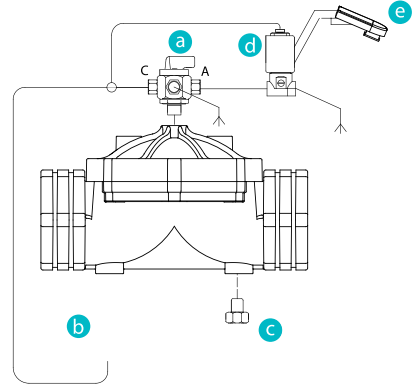


ELECTRIC/HYDRAULIC VALVES | G500

G500-C | DC Battery Controller 1-1/2" - 4"



- a 3W selector valve
- b In-line finger filter
- c Plug
- d Solenoid Pilot Valve
- e Controller

Description

G500-C model valve is the hydraulic control valve operated by line pressure and designed to ensure opening/closing process by means of built-in solenoid pilot valve controlled remotely with electric signal at required time or required duration. Electric signal for solenoid pilot valve is ensured by means of a control device, time relay, main switch and PLC control units etc. Opening/Closing process may be realized easily thanks to manual control on solenoid pilot valve, depending on requirements. The controller irrigates in cycles, during a window of time according to your needs.

Applications

- Use G500-C for programmed irrigation
- Use G500-C for water distribution

Standards

- G500-C : 9V DC Latch solenoid, Control Unit (1 Outlet), polyethylene plastic tubing system, nylon fittings and 3 Way selector

How to Order

G500-C	-	TYPE	-	PORT
		One valve	null	1-1/2" BSPT 70
		Window	W	1-1/2" NPT 71
		Window +	W+	2" BSPT 80
				2" NPT 81
				2-1/2" BSPT 85
				2-1/2" NPT 86
				3" BSPT 90
				3" NPT 91
				4" BSPT 100
				4" NPT 101
				4" Flange 100F

Example : G500-C-W-90
G500 DC Battery controller,
Window, 3" BSPT



* To order valves manufactured according to your specific requirements, please contact our technical sales department