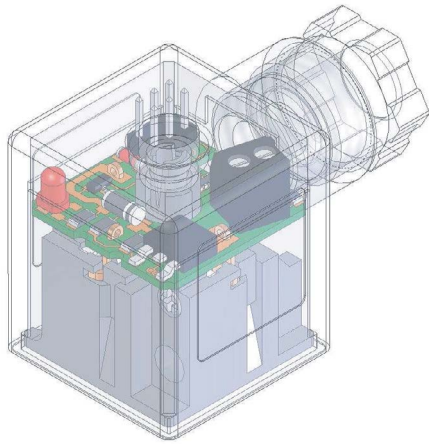


PWM Connector

Provides energy savings and extends the life expectancy of the valve coil



Technical Data

Operating voltage	$V_{dc} = 24V$ DC * There is no over-voltage protection
Voltage range	12 ~ 48V DC
Maximum current	1 A
Output frequency	5 KHz approx.
Switching frequency	3.1 KHz @ 24V DC
Duty cycle	25% - 75%
Delay	ca. 175ms
Pulse-pause ratio of PWM signal	8 fix variation
Polarity sensitive	✓
Standard / Certification	EN 175301-803 / ISO 4400