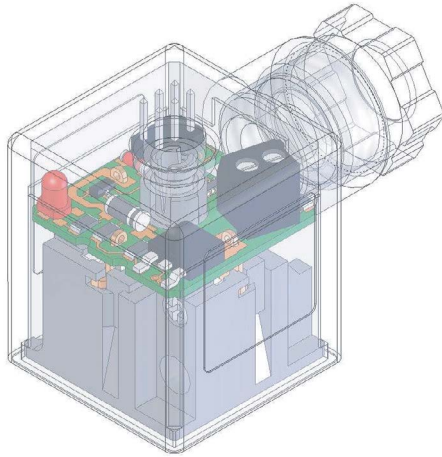


Proportional Driver Connector

Integrated proportional circuit board for solenoid valves GEM-SOL series



Technical Data

Power supply	12 ~ 24V DC $\pm 10\%$
Maximum voltage	30V
Maximum output current	1000 mA
Output current range	0 ~ 1000 mA
Command signal	0 ~ 5V DC (Analog)
PWM Duty cycle range	0 - 100%
PWM frequency	1000 Hz
Maximum resolution	0.1FS (10-bit)
Sampling rate	50 Hz (20ms)
Ramp time range	50ms - 5sec
Connector package	DIN 43650
Mounting	Central nut
Standard protection class	IP65